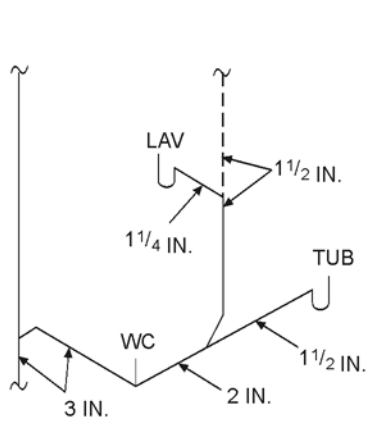
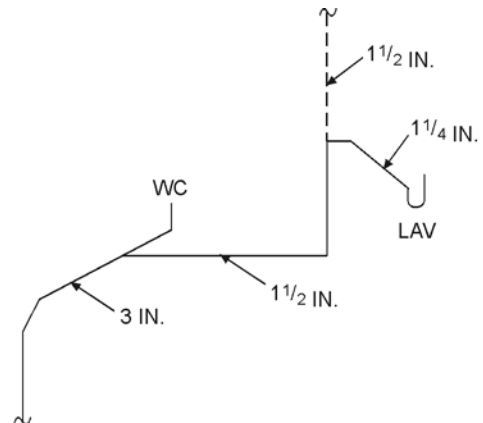


APPENDIX N VENTING METHODS

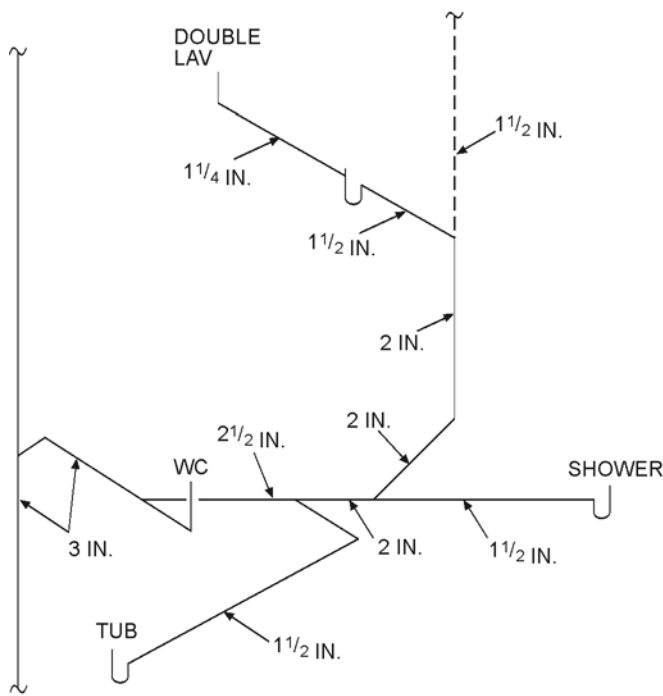
(This appendix is informative and is not part of the code. This appendix provides examples of various of venting methods.)



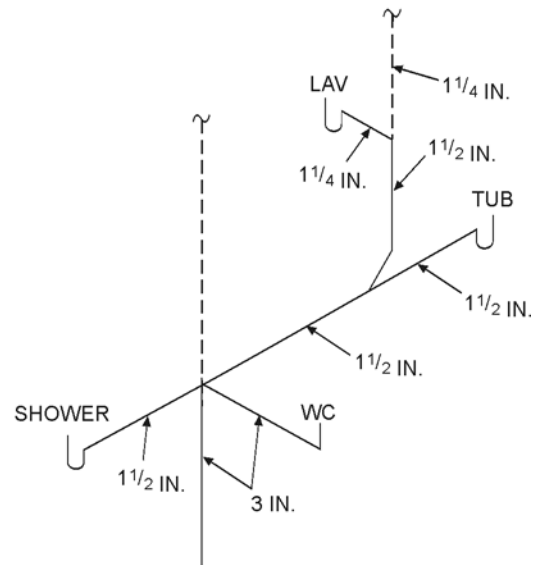
A. TYPICAL SINGLE-BATH ARRANGEMENT



B. TYPICAL POWDER ROOM



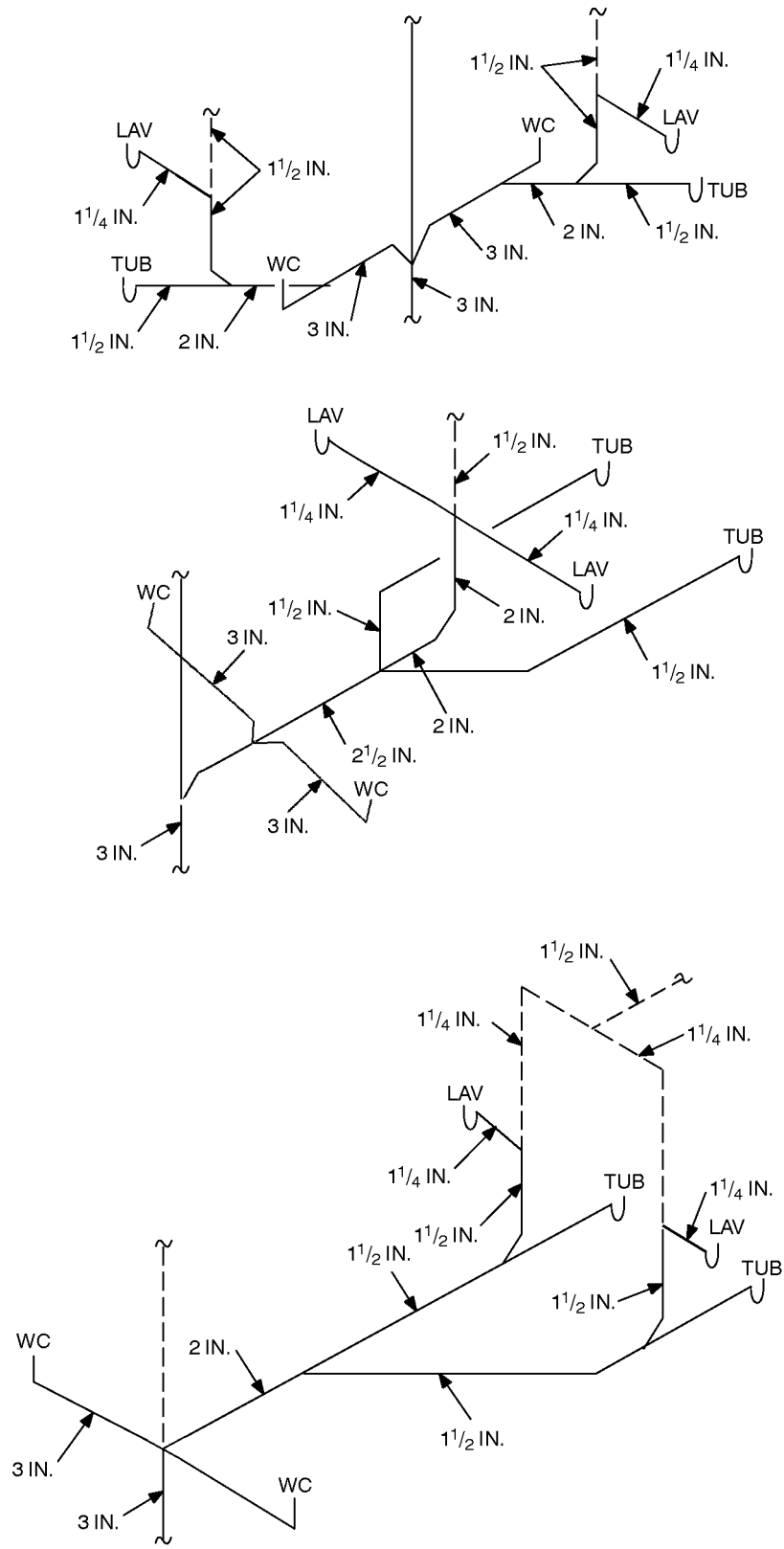
C. MORE ELABORATE SINGLE-BATH ARRANGEMENT



D. COMBINATION WET AND STACK VENTING WITH STACK FITTING

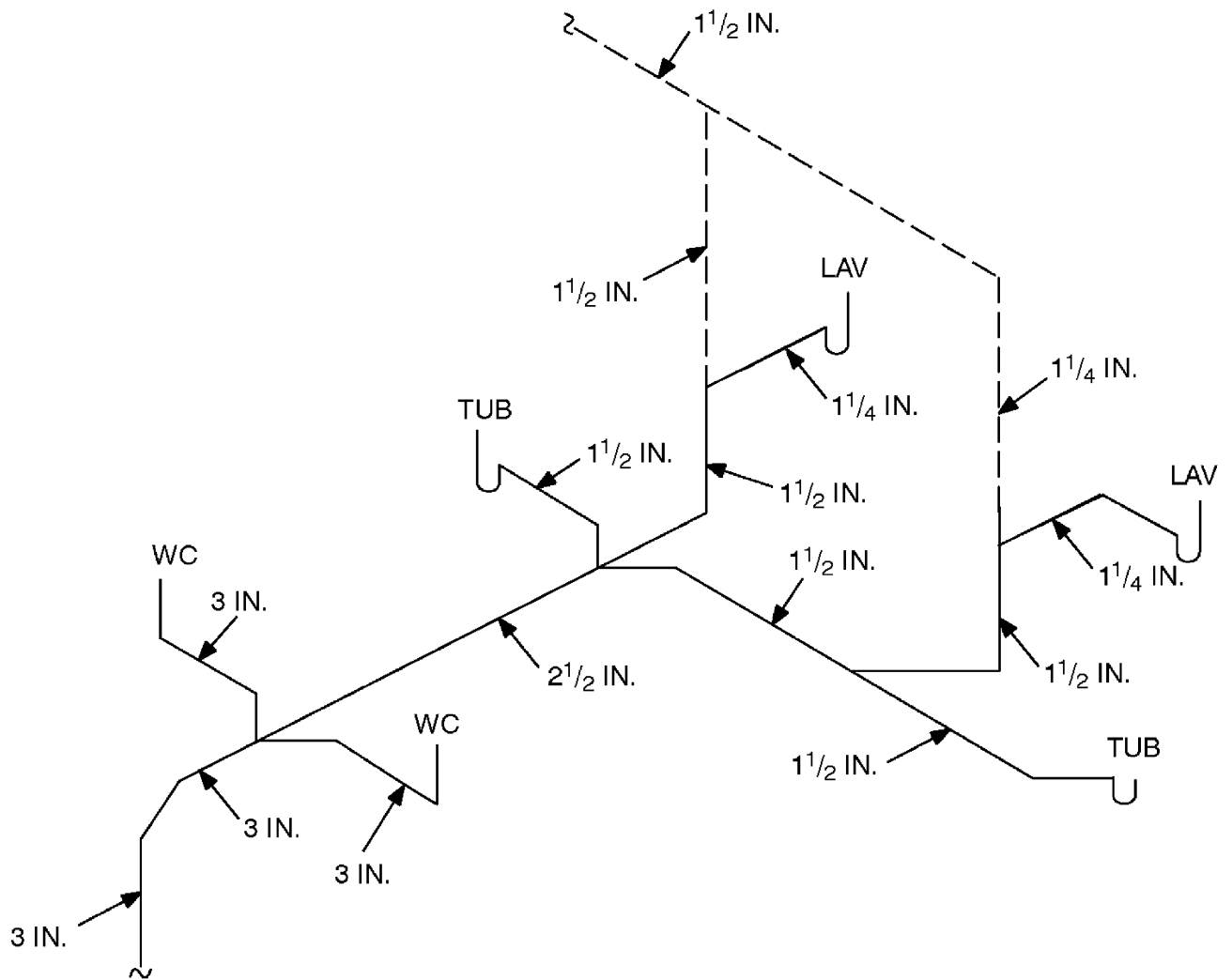
For SI: 1 inch = 25.4 mm.

**FIGURE N1
TYPICAL SINGLE-BATH WET-VENT ARRANGEMENTS**



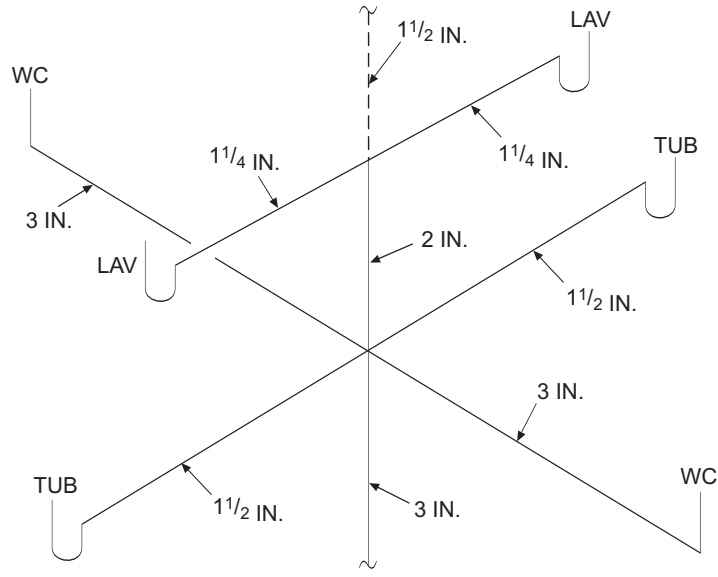
For SI: 1 inch = 25.4 mm.

FIGURE N2
TYPICAL DOUBLE-BATH WET-VENT ARRANGEMENTS

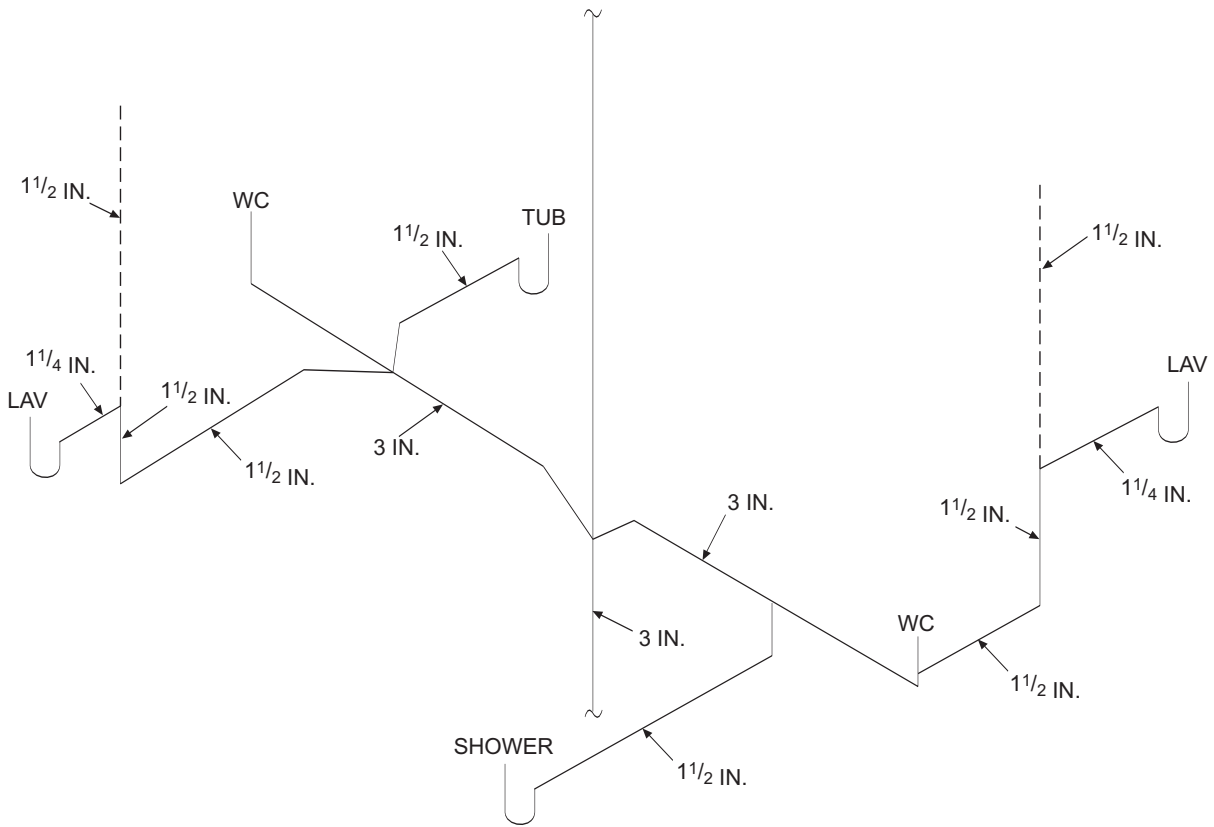


For SI: 1 inch = 25.4 mm.

FIGURE N3
TYPICAL HORIZONTAL WET VENTING



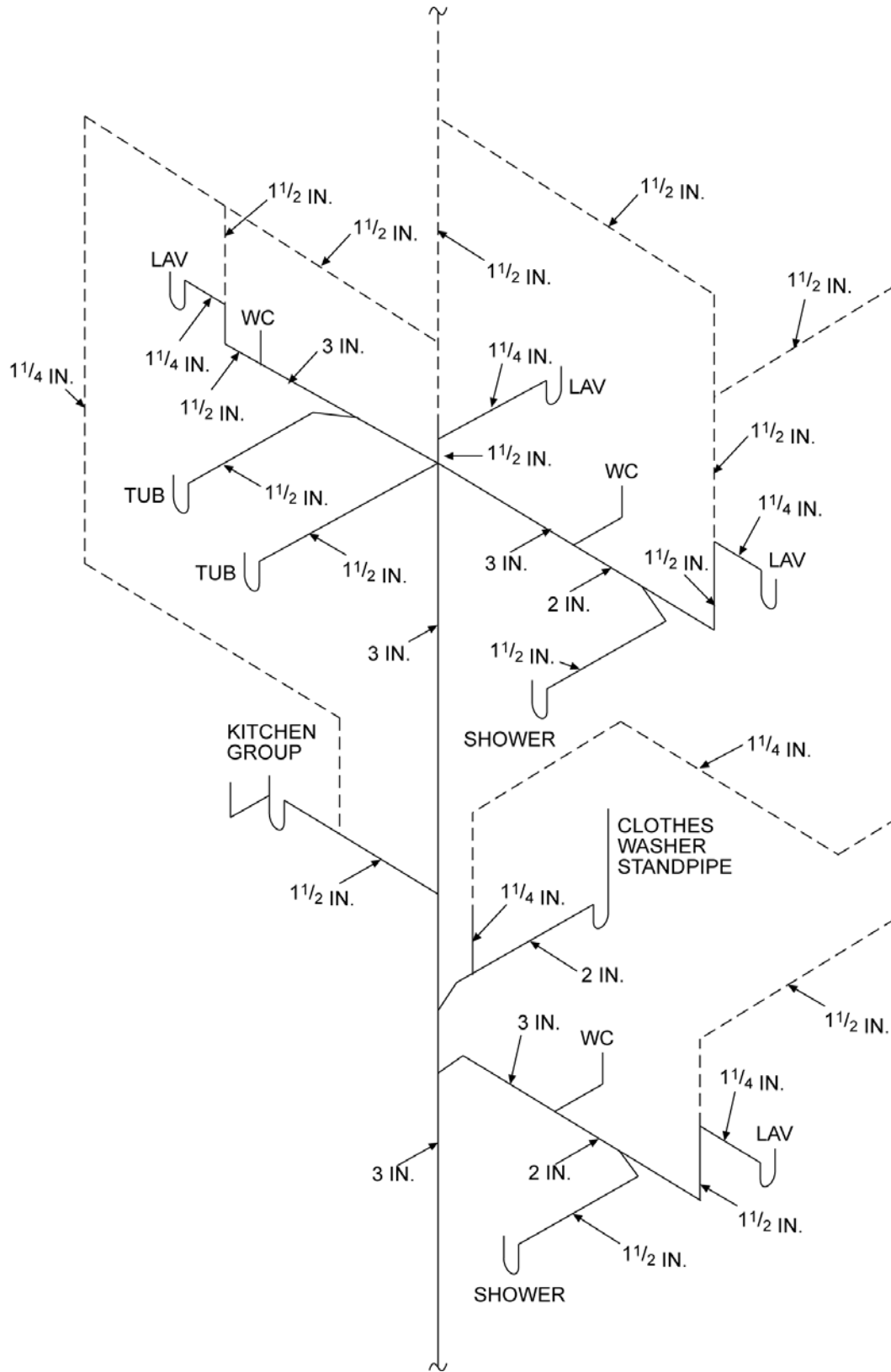
A. VERTICAL WET VENTING



B. HORIZONTAL WET VENTING

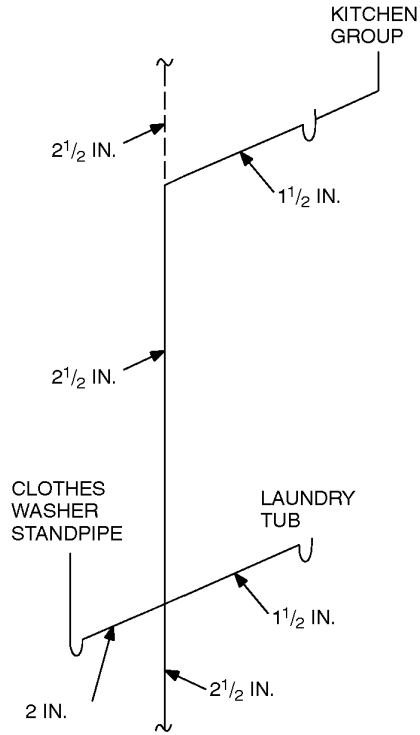
For SI: 1 inch = 25.4 mm.

FIGURE N4
TYPICAL METHODS OF WET VENTING



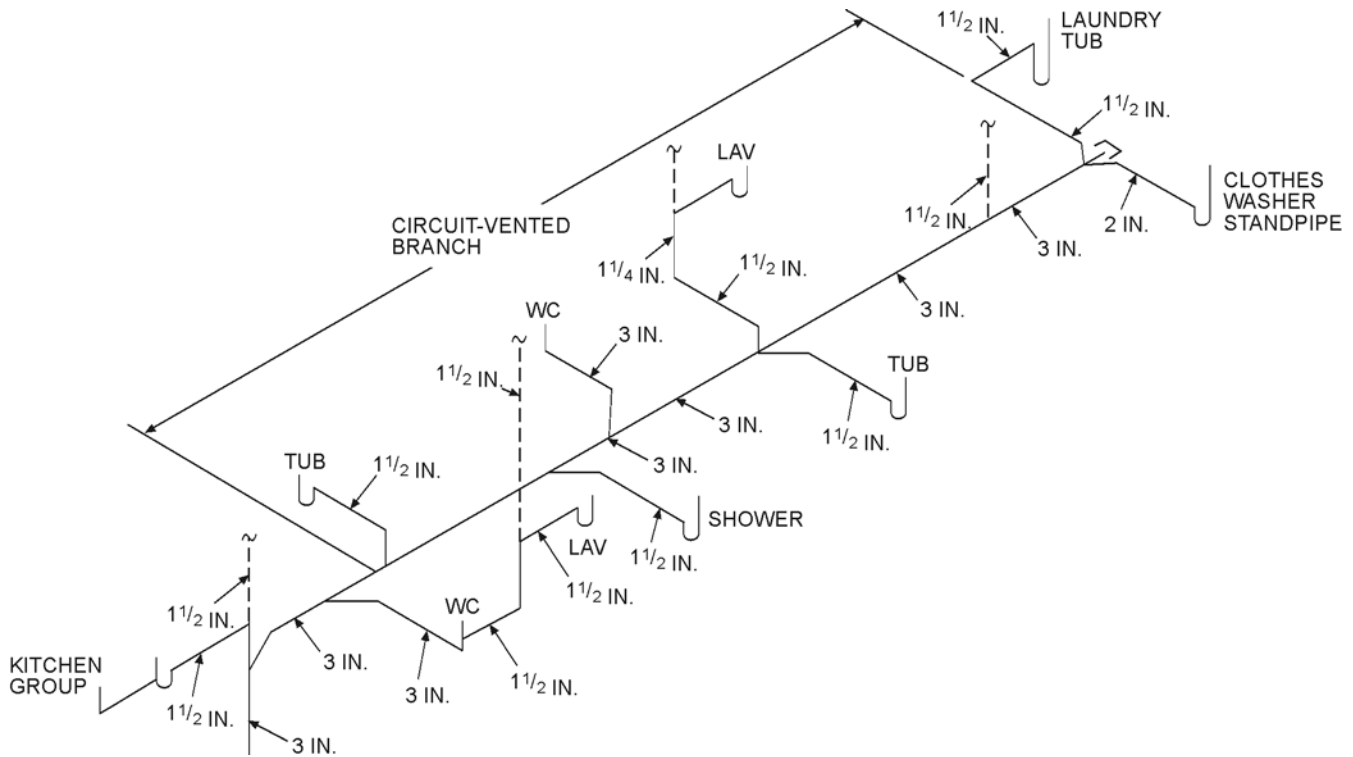
For SI: 1 inch = 25.4 mm.

FIGURE N5
SINGLE STACK SYSTEM FOR A TWO-STORY DWELLING



For SI: 1 inch = 25.4 mm.

**FIGURE N6
WASTE STACK VENTING**



For SI: 1 inch = 25.4 mm.

**FIGURE N7
CIRCUIT VENT WITH ADDITIONAL NONCIRCUIT VENTED BRANCH**