



E-18 Parking Lot Solar Canopy pilot program – CUCAC Meeting –



May 14, 2024

E-18 Parking Lot Solar Canopy pilot program –

> **Goals & Objectives**

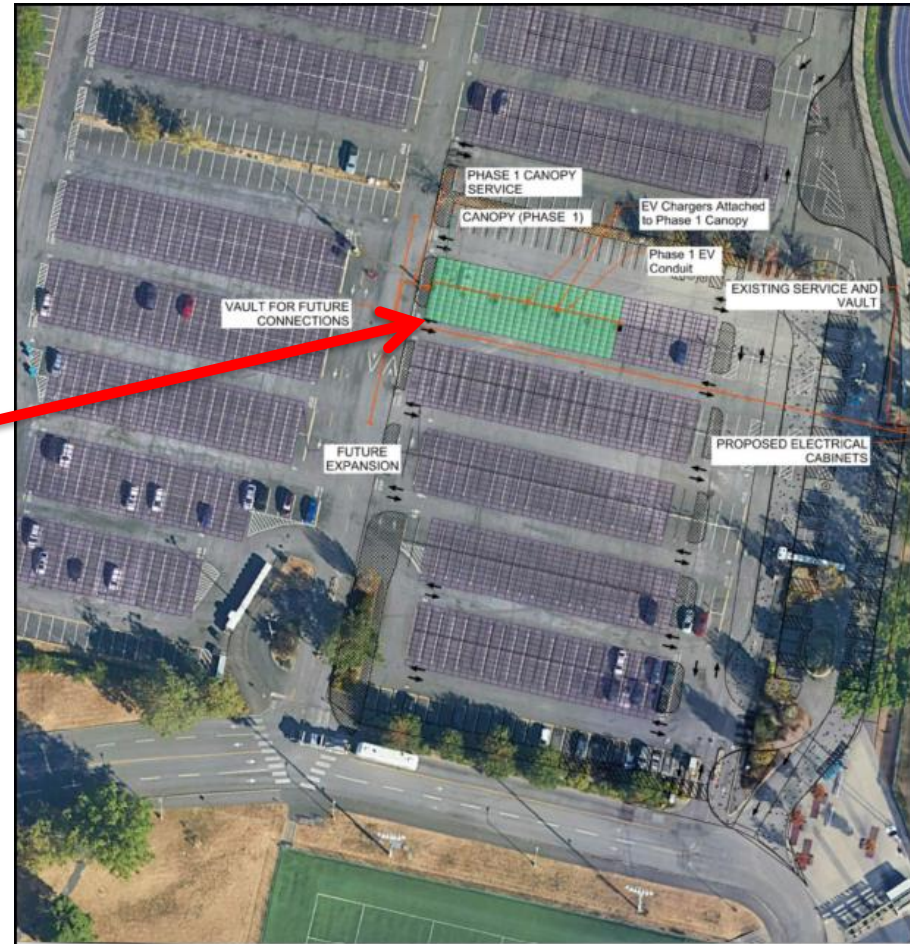
> **Background:**

- The University of Washington has identified objectives and outlined goals to improve campus sustainability performance. UW Transportation Services is involved in this effort by incorporating renewable solar energy into their operations related to increasing the electric vehicle fleet.

> **Goal & Objective:**

- Design and construct a solar array with canopy support system covering approximately (40) existing parking stalls to provide 84kW of electrical power connected to the city and campus electrical grids and capable of connections to future UW charging stations.

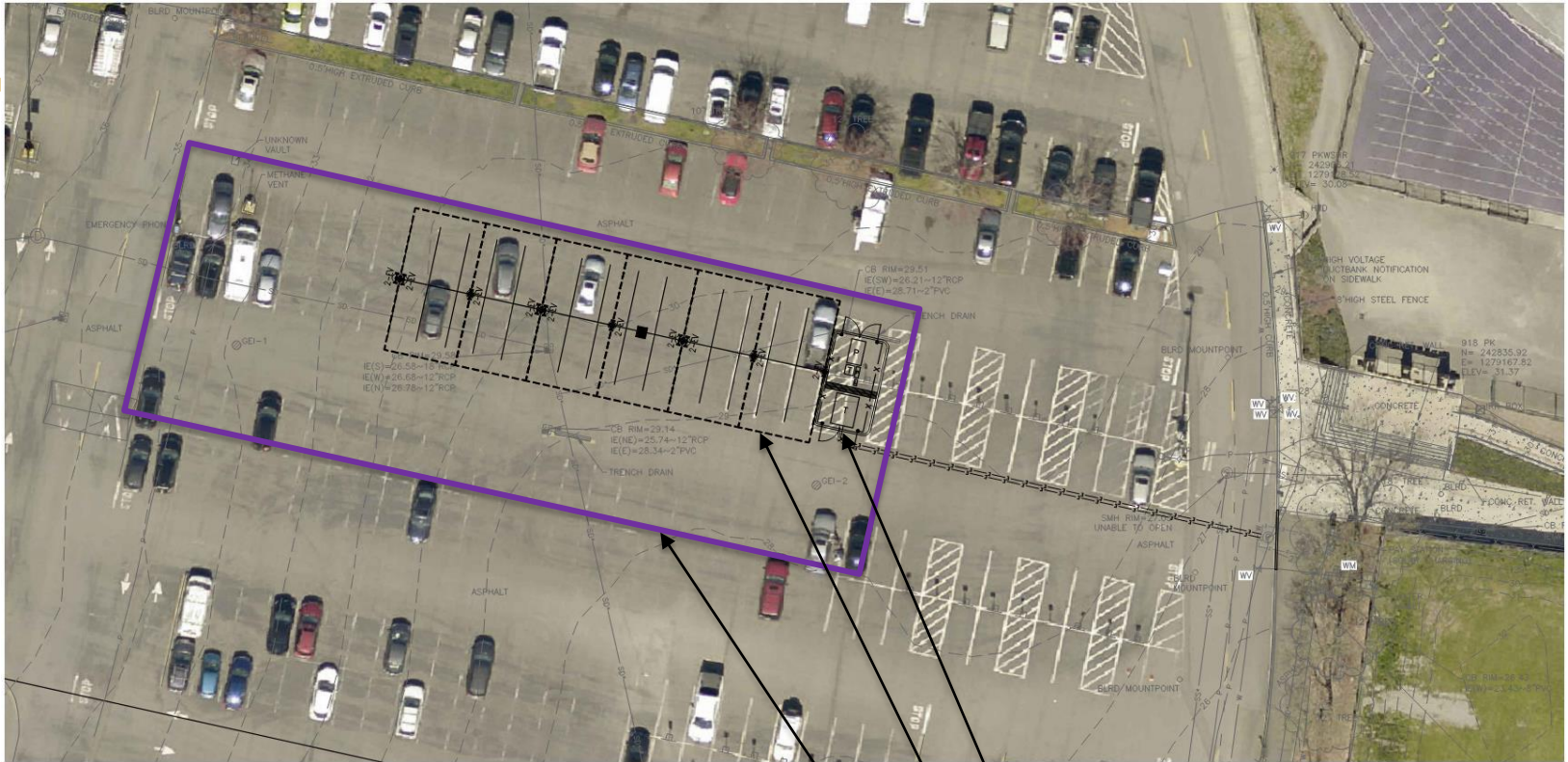
Project Location



Depicts potential canopy expansion program and consideration for future ADA project.

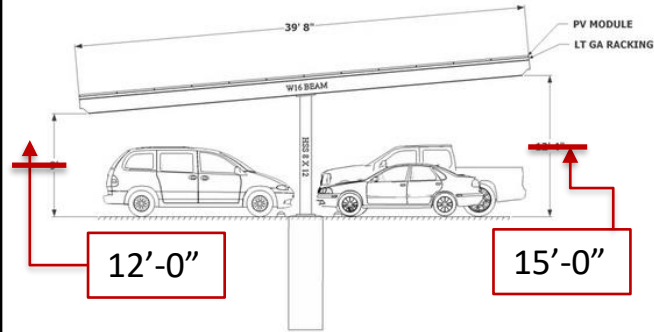
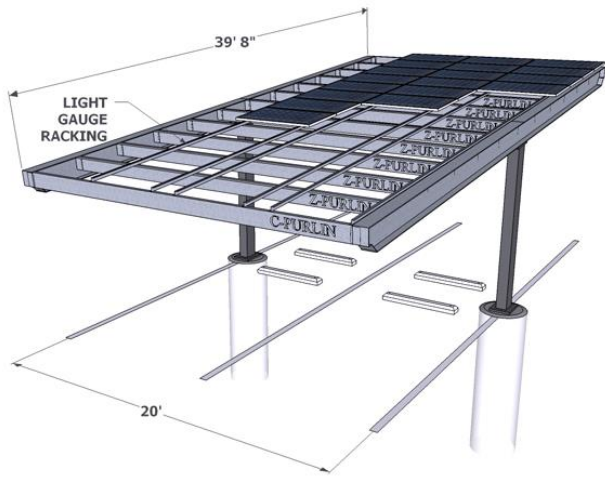
E18 –Solar Canopy

Basic Site Plan

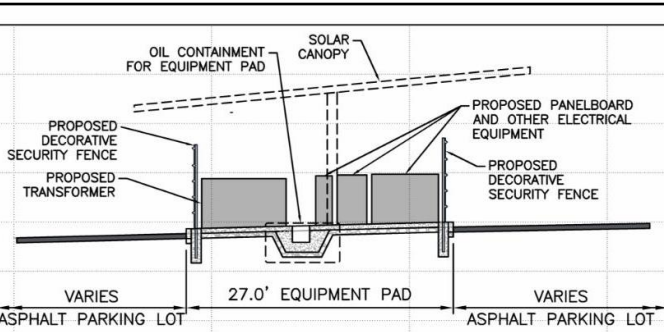


- Electrical equipment enclosure
- Solar canopy outline
- Temporary Construction Fencing

Solar canopy design



Canopy paint color:
Patrician Bronze



Section through electrical equipment enclosure





**Solar canopy
example images**

Project Schedule -

- Design and Permits April, May 2024
 - Bid Results May 2024
 - Construction procurement (long lead time items) early summer 2024.
 - Construction April thru July 2025
-
- Husky Baseball March 1st thru May 12th
 - Husky Women's Soccer Start* August 5th*
 - Husky Men's Soccer Start* August 12th*
 - Huskies First Home Football Game August 31

*Sports Schedule Approximate Based on 2024 Schedule

Wrap up

> Questions ?