


**Specifications**

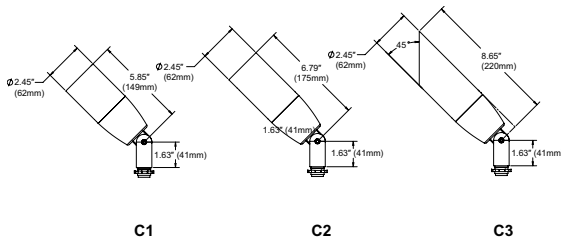
Weight:	1.6 lbs.
H:	5.85" (149mm) w/C1
	6.79" (172mm) w/C2
	8.65" (220mm) w/C3

# ASPEN LED

## 12V/120V LED

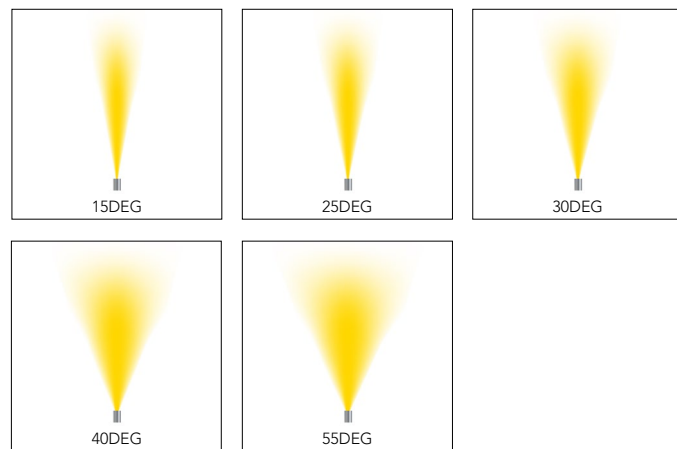
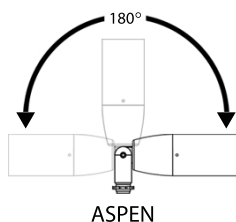
**HIGHLIGHTS**

- Accent lights are suitable for a variety of mounting applications including ground, wall, tree, sign and architectural accents
- Suitable for wet locations
- Integral driver for 120V
- Dimmable using standard Triac dimmer for 120V and dimmable using standard MLV dimmer and magnetic transformer for 12V
- Tapered-sure lock
- Available in 80CRI and 90CRI
- 1,100lm


**DIMENSIONS**

**LUMEN PACKAGES**

	15DEG	20DEG	25DEG	30DEG	35DEG	40DEG	45DEG	50DEG	55DEG
Delivered Lumens	685	623	659	642	674	656	634	639	641
Watts	11	11	11	11	11	11	11	11	11
LPW	62	57	60	58	61	60	58	58	58
Peak Candela	5,056	2,725	2,827	1830	1569	1212	982	742	664

Note: Information based on 4000K @ P1, 80CRI, 120 Volt with C1 cap and FLC lens

**STANDARD DISTRIBUTION**

**AIMING DETAILS**



**ORDERING INFORMATION**
**EXAMPLE: ASPEN SS P1 80CRI 30K 12 20DEG WSL KM C1 BL**

ASPEN																		
Series*	Material*		Performance Packages*	CRI*	Color Temperature*		Voltage*		Distribution*			Lens*		Mounting*				
ASPEN	A	Aluminum	P1	80CRI	27K		12 <sup>1</sup>	12Vac	15DEG	15°	40DEG	40°	FLC	Flat Clear	KM	Knuckle		
	BR	Brass	P2	90CRI	30K		120 <sup>2</sup>	120Vac	20DEG	20°	45DEG	45°	WSL	Watershed	35OR	350° rotational knuckle		
	SS	Stainless Steel	Note: P2 only available with 12volt			35K		Note: 120V only available with P1		25DEG	25°	50DEG	50°					
						40K				30DEG	30°	55DEG	55°					
					50K	Note: 35k and 50K only available with 80CRI			35DEG	35°								
Mounting Accessories <i>Optional</i>				Options <sup>4</sup> <i>Optional</i>				External Caps*			Finish*							
<b>Independent Mounting</b>				<b>Stems</b>				<b>Internal Louver</b>			<b>All Material</b>			<b>Brass Only</b>				
JBA	Aluminum J-Box			S3 <sup>3</sup>	3" Stem		IHL	Honeycomb Louver		C1	Short Flush		BL	Black Textured		BRZ	Satin Bronze w/ Satin Clear	
JBB	Bronze J-Box Architectural			S6 <sup>3</sup>	6" Stem		<b>Internal Accessory</b>			C2	Recessed Lens		BRS	Bronze Smooth		NAT	Natural Brass w/ Satin Clear	
ARJB	J-Box, Aluminum			S__ <sup>3</sup>	12" - 24" stems, available in 6" increments		L1	Prismatic Lens		C3	45° Angle Cut		BRT	Bronze Textured		POL	Polished Brass w/ Gloss Clear	
CN4	4" rectangular canopy			S3BR <sup>4</sup>	3" Stem Brass		L2	Linear Spread Lens					DBL	Black Smooth		<b>Stainless Only</b>		
CN4BR	4" rectangular canopy, brass			S6BR <sup>4</sup>	6" Stem Brass		L3	Softening Lens					DDB	Designer Bronze		BRSS	Brushed Stainless Steel	
CN5	5" round canopy			S__BR <sup>4</sup>	12" - 24" stems, available in 6" increments		<b>Internal Filters</b>						DNA	Natural Aluminum		NSS	Natural Stainless Steel	
CN5BR	5" round canopy, brass			<b>Extended Arms<sup>5</sup></b>				FA	Amber					NBS <sup>7</sup>	Natural Bronze Smooth		Note: RALTBDD for pricing only, replace with applicable RAL call out when ready to order. See the RALBROCHURE for available options. It is recommended that Hydrel products only use textured paint.	
WMC	Wall Mount Cover			EA__	12", 24" or 36"		FG	Green Dichroic					STG	Steel Gray		Note: Zinc Undercoat provides corrosion protection for Marine Environment and Natatorium Construction		
WMSA	Wall Mount with Splice Access			EA45__	45" - 12", 24" or 36"		FLB	Light Blue					VET	Verde Textured				
STK <sup>8</sup>	Mounting Stake			EA90__	90" - 12", 24" or 36"		FLM	Mercury Vapor					WH	White Textured				
TRA <sup>8</sup>	Tree Mounted J-Box, Aluminum							FMB	Medium Blue					WHS	White Smooth			
TRB <sup>8</sup>	Tree Mounted J-Box, Bronze							FMBD	Medium Blue Dichroic					CF	Custom Finish			
_TRAS <sup>8</sup>	Tree Mounted J-Box with Aluminum mounting strap, available with 1-4 JBoxes per strap							FR	Red					RALTBDD	RAL Paint Finishes			
_TRBS <sup>8</sup>	Tree Mounted J-Box with Bronze mounting strap, available with 1-4 JBoxes per strap							FRD	Red Dichroic					_Z <sup>9</sup>	Zinc Undercoat (i.e. BLZ)			
PM60A <sup>8</sup>	Adjustable Post Mount																	
PMBR60A <sup>8</sup>	Adjustable Post Mount - Brass																	
PM60C	Post Mount with Conduit																	
PMBR60C	Post Mount with Conduit - Brass																	
PM60D <sup>8</sup>	Post Mount with Open Bottom																	
PMBR60D <sup>8</sup>	Post Mount with Open Bottom - Brass																	
Note: Multi Head (AMHM) mounting accessory is available and can be ordered separately, please see below and spec sheet for options. Consult factory if you require the AMHM to be used with any independent mounting accessories Note: Aluminum or Bronze Stake Mounted J-Box (SBA_ or SBB_) is available in 12" or 18" and can be ordered separately, please see below and spec sheet for options.																		

**\*Required Fields**
**Notes:**

- 1 Remote transformer required. Options for [remote transformers](#).
- 2 Integral Driver.
- 3 Aluminum stems only compatible with PM60A, PM60C and PM60D.
- 4 Brass stems only compatible with PMBR60A, PMBR60C and PMBR60D.
- 5 Extended arms compatible with WMC and WMSA.
- 6 Up to 2 options can be specified.
- 7 NBS paint uses specialty pigments to give a natural appearance that may vary by fixture.
- 8 Only available with 12 volt.
- 9 Zinc undercoat for harsh environments

## ACCENT MOUNTING ACCESSORIES

		Part #
	<ul style="list-style-type: none"> <li>• SBA or SBB Stake mounted J-box</li> <li>• Available in aluminum or bronze material</li> <li>• Available in 12" and 18"</li> <li>• Used for a portable convenient placement of accent fixtures to accommodate 12v or 120v 1/2" knuckle fixture</li> </ul>	Examples: SBA12 78C CSL6P BL SBB18 78C CSL15P BZ See <a href="#">spec sheet</a> for more options



# WEDGE1 LED

## Architectural Wall Sconce



Catalog Number

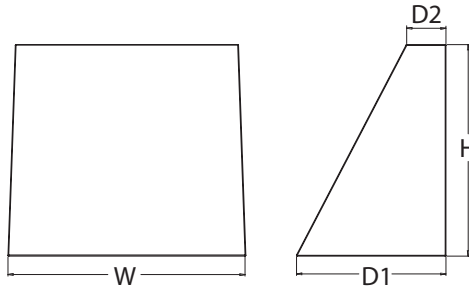
Notes

Type

Hit the Tab key or mouse over the page to see all interactive elements.

### Specifications

**Depth (D1):** 5.5"  
**Depth (D2):** 1.5"  
**Height:** 8"  
**Width:** 9"  
**Weight:** 9 lbs  
 (without options)



### Introduction

The WEDGE LED family is designed to meet specifier's every wall-mounted lighting need in a widely accepted shape that blends with any architecture. The clean rectilinear design comes in four sizes with lumen packages ranging from 1,200 to 25,000 lumens, providing true site-wide solution.

WEDGE1 delivers up to 2,000 lumens with a soft, non-pixelated light source, creating a visually comfortable environment. The compact size of WEDGE1, with its integrated emergency battery backup option, makes it an ideal over-the-door wall-mounted lighting solution.

### WEDGE LED Family Overview

Luminaire	Standard EM, 0°C	Cold EM, -20°C	Sensor	Lumens (4000K)					
				P1	P2	P3	P4	P5	P6
WEDGE1 LED	4W	--	--	1,200	2,000	--	--	--	--
WEDGE2 LED	10W	18W	Standalone / nLight	1,200	2,000	3,000	4,500	6,000	--
WEDGE3 LED	15W	18W	Standalone / nLight	7,500	8,500	10,000	12,000	--	--
WEDGE4 LED	--	--	Standalone / nLight	12,000	16,000	18,000	20,000	22,000	25,000

### Ordering Information

**EXAMPLE:** WEDGE1 LED P2 40K 80CRI VF MVOLT SRM PE DDBXD

Series	Package	Color Temperature	CRI	Distribution	Voltage	Mounting
WEDGE1 LED	P0	27K 2700K	80CRI	VF Visual comfort forward throw	MVOLT	<b>Shipped included</b> SRM Surface mounting bracket ICW Indirect Canopy/Ceiling Washer bracket (dry/damp locations only) <sup>5</sup>  <b>Shipped separately</b> AWS 3/8inch Architectural wall spacer PBBW Surface-mounted back box (top, left, right conduit entry) Use when there is no junction box available.
	P1	30K 3000K	90CRI	VW Visual comfort wide	347 <sup>2</sup>	
	P2	35K 3500K				
		40K 4000K				
		50K <sup>1</sup> 5000K				

Options	Finish
E4WH <sup>3</sup> Emergency battery backup, Certified in CA Title 20 MAEDBS (4W, 0°C min)	DDBXD Dark bronze
PE <sup>4</sup> Photocell, Button Type	DBLXD Black
DS Dual switching (comes with 2 drivers and 2 light engines; see page 3 for details)	DNAXD Natural aluminum
DMG 0-10V dimming wires pulled outside fixture (for use with an external control, ordered separately)	DWHXD White
BCE Bottom conduit entry for back box (PBBW). Total of 4 entry points.	DSSXD Sandstone
BAA Buy America(n) Act Compliant	DDBTXD Textured dark bronze
DSLE Dual Switching (1 Driver, 2 Light Engines)	DBLTXD Textured black
	DNATXD Textured natural aluminum
	DWHGXD Textured white
	DSSTXD Textured sandstone



COMMERCIAL OUTDOOR

One Lithonia Way • Conyers, Georgia 30012 • Phone: 1-800-705-SERV (7378) • [www.lithonia.com](http://www.lithonia.com)  
 © 2019-2023 Acuity Brands Lighting, Inc. All rights reserved.

WEDGE1 LED  
 Rev. 11/16/23

## Accessories

Ordered and shipped separately.

WDGEAWS DDBXD	WDGE 3/8inch Architectural Wall Spacer (specify finish)
WDGE1P8BW DDBXD U	WDGE1 surface-mounted back box (specify finish)

## NOTES

- 50K not available in 90CRI.
- 347V not available with E4WH, DS, DSLE or PE.
- E4WH not available with PE or DS.
- PE not available with DS.
- Not qualified for DLC. Not available with E4WH.

## Performance Data

### Lumen Output

Lumen values are from photometric tests performed in accordance with IESNA LM-79-08. Data is considered to be representative of the configurations shown, within the tolerances allowed by Lighting Facts. Contact factory for performance data on any configurations not shown here.

Performance Package	System Watts	Dist. Type	27K (2700K, 80 CRI)					30K (3000K, 80 CRI)					35K (3500K, 80 CRI)					40K (4000K, 80 CRI)					50K (5000K, 80 CRI)				
			Lumens	LPW	B	U	G	Lumens	LPW	B	U	G	Lumens	LPW	B	U	G	Lumens	LPW	B	U	G	Lumens	LPW	B	U	G
P0	7W	VF	693	99	0	0	0	718	103	0	0	0	739	106	0	0	0	759	108	0	0	0	764	109	0	0	0
		VW	694	99	0	0	0	720	103	0	0	0	740	106	0	0	0	760	109	0	0	0	766	109	0	0	0
P1	10W	VF	1,120	112	0	0	0	1,161	116	0	0	0	1,194	119	0	0	0	1,227	123	0	0	0	1,235	123	0	0	0
		VW	1,122	112	0	0	0	1,163	116	0	0	0	1,196	120	0	0	0	1,229	123	0	0	0	1,237	124	0	0	0
P2	15W	VF	1,806	120	1	0	0	1,872	125	1	0	0	1,925	128	1	0	0	1,978	132	1	0	0	1,992	133	1	0	0
		VW	1,809	120	1	0	0	1,876	125	1	0	0	1,929	128	1	0	0	1,982	132	1	0	0	1,996	133	1	0	0

### Electrical Load

Performance Package	System Watts	Current (A)				
		120V	208V	240V	277V	347V
P1	10W	0.082	0.049	0.043	0.038	--
	13W	--	--	--	--	0.046
P2	15W	0.132	0.081	0.072	0.064	--
	18W	--	--	--	--	0.056

### Lumen Multiplier for 90CRI

CCT	Multiplier
27K	0.845
30K	0.867
35K	0.845
40K	0.885
50K	0.898

### Lumen Output in Emergency Mode (4000K, 80 CRI)

Option	Dist. Type	Lumens
E4WH	VF	646
	VW	647

### Lumen Ambient Temperature (LAT) Multipliers

Use these factors to determine relative lumen output for average ambient temperatures from 0-40°C (32-104°F).

Ambient	Lumen Multiplier
0°C / 32°F	1.03
10°C / 50°F	1.02
20°C / 68°F	1.01
25°C / 77°F	1.00
30°C / 86°F	0.99
40°C / 104°F	0.98

### Projected LED Lumen Maintenance

Data references the extrapolated performance projections for the platforms noted in a 25°C ambient, based on 10,000 hours of LED testing (tested per IESNA LM-80-08 and projected per IESNA TM-21-11).

To calculate LLF, use the lumen maintenance factor that corresponds to the desired number of operating hours below. For other lumen maintenance values, contact factory.

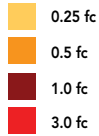
Operating Hours	0	25,000	50,000	100,000
Lumen Maintenance Factor	1.0	>0.96	>0.95	>0.91



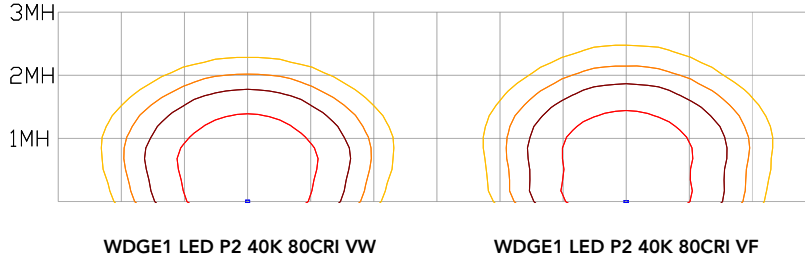
## Photometric Diagrams

To see complete photometric reports or download .ies files for this product, visit the Lithonia Lighting WDGE LED homepage. Tested in accordance with IESNA LM-79 and LM-80 standards.

### LEGEND



MH = 8ft  
Grid = 8ft x 8ft



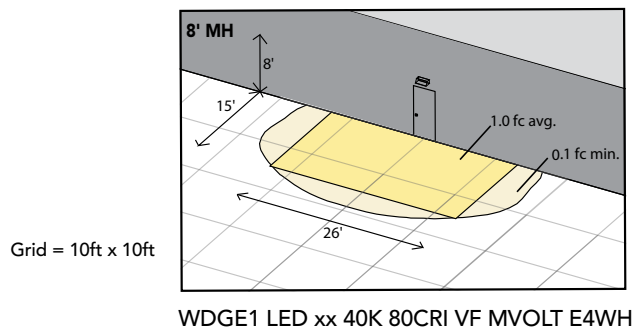
## Emergency Egress Options

### Emergency Battery Backup

The emergency battery backup is integral to the luminaire — no external housing required! This design provides reliable emergency operation while maintaining the aesthetics of the product. All emergency battery backup configurations include an independent secondary driver with an integral relay to immediately detect loss of normal power and automatically energize the luminaire. The emergency battery will power the luminaire for a minimum duration of 90 minutes (maximum duration of three hours) from the time normal power is lost and maintain a minimum of 60% of the light output at the end of 90minutes.

Applicable codes: NFPA 70/NEC – section 700.16, NFPA 101 Life Safety Code Section 7.9

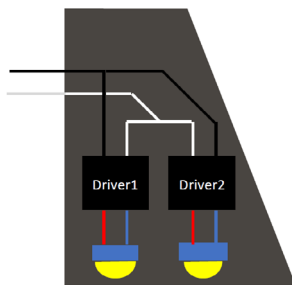
The example below shows illuminance of 1 fc average and 0.1 fc minimum in emergency mode with E4WH and VF distribution.



### Dual Switching (DS) Option

The dual switching option offers operational redundancy that certain codes require. With this option the luminaire comes integrated with two drivers and two light engines. These work completely independent to each other so that a failure of any individual component does not cause the whole luminaire to go dark.

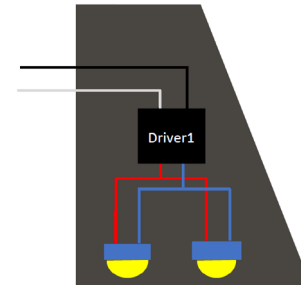
Applicable codes: NFPA 70/NEC – section 700.16, NFPA 101 Life Safety Code Section 7.9



### Dual Switching Light Engine (DSLE) Option

The dual switching option offers operational redundancy that certain codes require. With this option the luminaire comes integrated with one driver and two light engines. These work completely independent to each other so that a failure of either light engine does not cause the whole luminaire to go dark.

Applicable codes: NFPA 70/NEC – section 700.16, NFPA 101 Life Safety Code Section 7.9





### E4WH – 4W Emergency Battery Backup

D = 5.5"

H = 8"

W = 9"



### PBBW – Surface-Mounted Back Box

Use when there is no junction box available.

D = 1.75"

H = 8"

W = 9"



### AWS – 3/8inch Architectural Wall Spacer

D = 0.38"

H = 4.4"

W = 7.5"

## FEATURES & SPECIFICATIONS

### INTENDED USE

Common architectural look, with clean rectilinear shape, of the WDGE LED was designed to blend with any type of construction, whether it be tilt-up, frame or brick. Applications include commercial offices, warehouses, hospitals, schools, malls, restaurants, and other commercial buildings.

### CONSTRUCTION

The single-piece die-cast aluminum housing integrates secondary heat sinks to optimize thermal transfer from the internal light engine heat sinks and promote long life. The driver is mounted in direct contact with the casting for a low operating temperature and long life. The die-cast door frame is fully gasketed with a one-piece solid silicone gasket to keep out moisture and dust, providing an IP66 rating for the luminaire.

### FINISH

Exterior painted parts are protected by a zinc-infused Super Durable TGIC thermoset powder coat finish that provides superior resistance to corrosion and weathering. A tightly controlled multi-stage process ensures a 3 mils thickness for a finish that can withstand extreme climate changes without cracking or peeling. Standard Super Durable colors include dark bronze, black, natural aluminum, sandstone and white. Available in textured and non-textured finishes.

### OPTICS

Well crafted reflector optics allow the light engine to be recessed within the luminaire, providing visual comfort, superior distribution, uniformity, and spacing in wall-mount applications. The WDGE LED has zero uplight and qualifies as a Nighttime Friendly™ product, meaning it is consistent with the LEED® and Green Globes™ criteria for eliminating wasteful uplight.

### ELECTRICAL

Light engine consists of high-efficiency LEDs mounted to metal-core circuit boards to maximize heat dissipation and promote long life (up to L91/100,000 hours at 25°C). The electronic driver has a power factor of >90%, THD <20%. Luminaire comes with built in 6kV surge protection, which meets a minimum Category C low exposure (per ANSI/IEEE C62.41.2). Fixture ships standard with 0-10v dimmable driver.

### INSTALLATION

A universal mounting plate with integral mounting support arms allows the fixture to hinge down for easy access while making wiring connections. The 3/8" Architectural Wall Spacer (AWS) can be used to create a floating appearance or to accommodate small imperfections in the wall surface. The ICW option can be used to mount the luminaire inverted for indirect lighting in dry and damp locations. Design can withstand up to a 1.5 G vibration load rating per ANSI C136.31.

### LISTINGS

CSA certified to U.S. and Canadian standards. Luminaire is IP66 rated. PIR options are rated for wet location. Rated for -40°C minimum ambient. DesignLights Consortium® (DLC) Premium qualified product and DLC qualified product. Not all versions of this product may be DLC Premium qualified or DLC qualified. Please check the DLC Qualified Products List at [www.designlights.org/QPL](http://www.designlights.org/QPL) to confirm which versions are qualified. International Dark-Sky Association (IDA) Fixture Seal of Approval (FSA) is available for all products on this page utilizing 2700K and 3000K color temperature only and SRM mounting only.

### BUY AMERICAN ACT

Product with the BAA option is assembled in the USA and meets the Buy America(n) government procurement requirements under FAR, DFARS and DOT regulations. Please refer to [www.acuitybrands.com/buy-american](http://www.acuitybrands.com/buy-american) for additional information.

### WARRANTY

5-year limited warranty. This is the only warranty provided and no other statements in this specification sheet create any warranty of any kind. All other express and implied warranties are disclaimed. Complete warranty terms located at: [www.acuitybrands.com/support/warranty/terms-and-conditions](http://www.acuitybrands.com/support/warranty/terms-and-conditions)

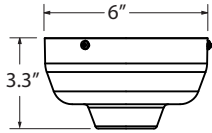
**Note:** Actual performance may differ as a result of end-user environment and application. All values are design or typical values, measured under laboratory conditions at 25 °C. Specifications subject to change without notice.





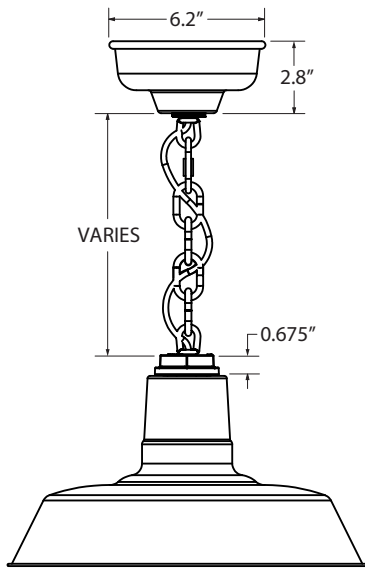
**MOUNTING STYLE**

**HIGH LUMEN CANOPY FOR PENDANT & FLUSH MOUNT**



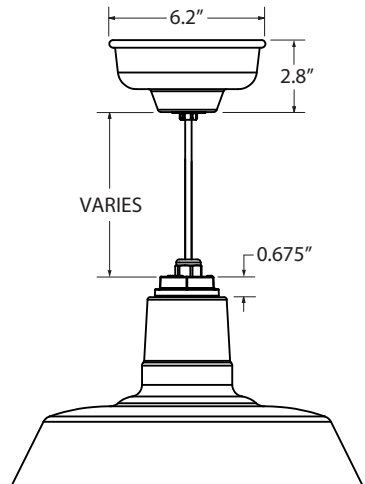
Required if LED 27, 38, 43 Light Source selected in Section J

**CHAIN HUNG PENDANT (CN)**



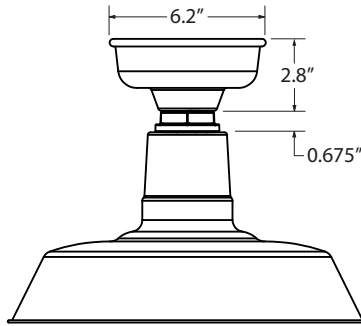
Canopy shown required if LED 11 & 16 Light Source selected in Section J

**CORD HUNG PENDANT (C)**



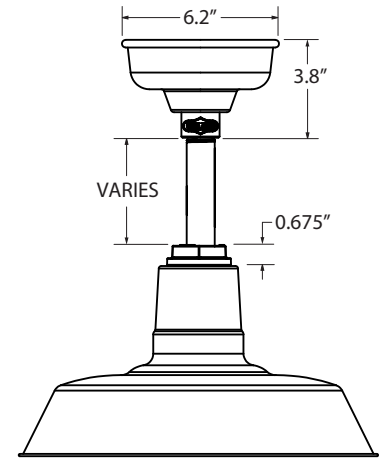
Canopy shown required if LED 11 & 16 Light Source selected in Section J

**FLUSH MOUNT (F)**



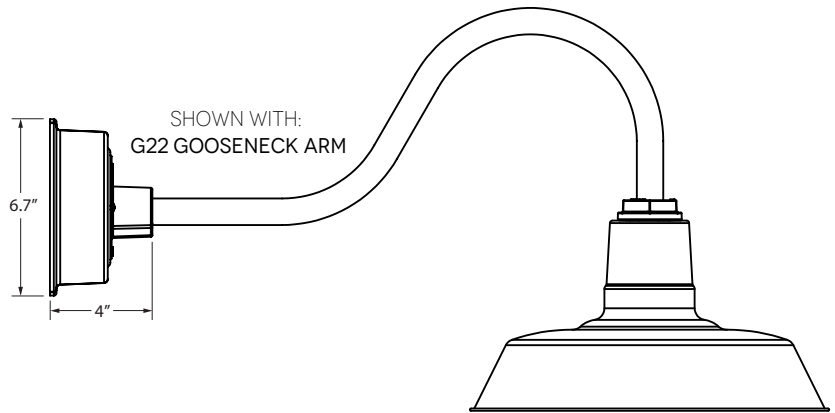
Canopy shown required if LED 11 & 16 Light Source selected in Section J

**STEM MOUNT PENDANT (S)**

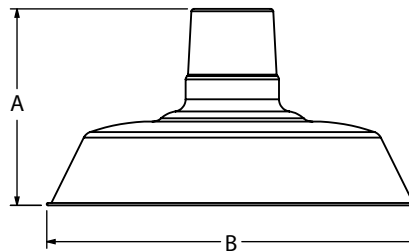


Canopy shown required if LED 11 & 16 Light Source selected in Section J

**GOOSENECK (G)**



**LUMINAIRE DIMENSIONS**



SHADE CODE	HEIGHT (A)	DIAMETER (B)
WHS12	7"	12"
WHS14	7.5"	14"
WHS16	7.75"	16"
WHS18	8.5"	18"
WHS20	9.25"	20"

**LIGHT SOURCE**

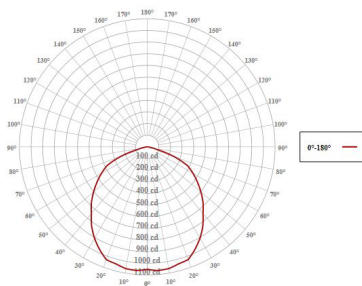
All published luminaire photometric testing performed to IESNA LM-79-08 standards by a NVLAP accredited laboratory. Data is considered to be representative of the configurations shown, within the tolerances allowed by Lighting Facts. To obtain an IES file specific to your project, please contact the factory.

	LUMENS		850		1250		2000		3000		4000	
	Wattage		11		16		27		38		43	
	Optics	Lumens	LPW	Lumens	LPW	Lumens	LPW	Lumens	LPW	Lumens	LPW	
WHS12	FLAT	846	74	1244	78	1997	74	2996	79	3995	93	
	DOMED	824	72	1212	76	1936	72	2904	76	3872	90	
WHS14	FLAT	845	74	1243	77	1982	73	2973	78	3964	92	
	DOMED	823	72	1210	75	1904	71	2856	75	3808	88	
WHS16	FLAT	845	74	1243	77	1982	73	2973	78	3964	92	
	DOMED	822	72	1209	75	1902	70	2854	75	3805	88	
WHS18	FLAT	843	74	1240	77	1978	73	2967	78	3956	92	
	DOMED	819	72	1204	75	1895	70	2843	75	3791	88	
WHS20	FLAT	841	74	1237	77	1973	73	2959	78	3945	91	
	DOMED	815	72	1199	75	1887	70	2830	74	3773	87	

\*Acrylic Diffuser option reduces lumens delivered and LPW

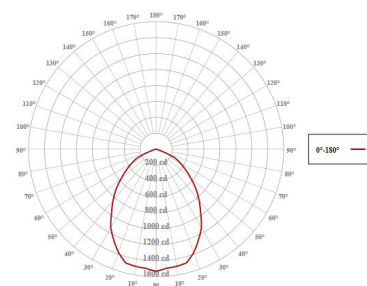
**LIGHT DISTRIBUTION**

DOMED LENS (DL)

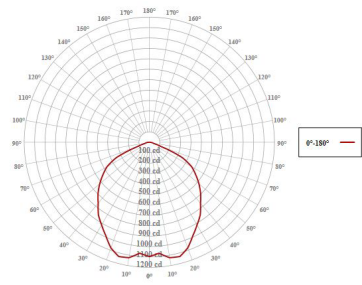


Shown above with 16" Shade (WHS16), White Interior (200-White) and 3000 Lumen (LED38)

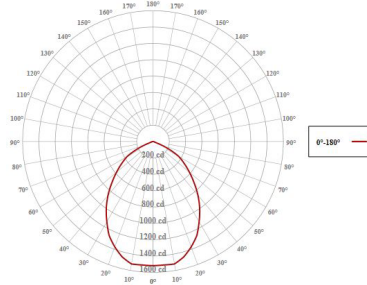
FLAT LENS (FL)



Shown above with 16" Shade (WHS16), White Interior (200-White) and 3000 Lumen (LED38)



Shown above with 20" Shade (WHS20), White Interior (200-White) and 3000 Lumen (LED38)



Shown above with 20" Shade (WHS20), White Interior (200-White) and 3000 Lumen (LED38)

**SPECIFICATIONS**

**CERTIFICATIONS, LISTINGS & WARRANTY**

MADE IN THE USA  
 Manufactured and Hand-Crafted in Our 60,000 Square Foot Facility  
 Located in Titusville, FL

CSA LISTED FOR WET LOCATIONS  
 Includes All Gooseneck, Stem and Flush Mounting Styles  
 Acrylic Diffuser is CSA Listed for Damp Locations for Gooseneck  
 and Stem Mounting Styles

CSA LISTED FOR DAMP LOCATIONS  
 Includes All Chain and Select Cord Hung Mounting Styles  
 Acrylic Diffuser is CSA Listed for Damp Locations for Chain and  
 Cord Hung Mounting Styles

LIMITED WARRANTY  
 For Additional Information on Our Limited Warranty, Please See  
 Our Terms & Conditions

OPERATING TEMPERATURE  
 -30°C to 40°C

**CONSTRUCTION & FINISH**

POWDER COAT SHADE  
 Hand-Spun from High Purity 3003-O Temper Aluminum

GALVANIZE SHADE  
 Hand Spun from High Quality Galvanized Steel

PORCELAIN SHADE  
 Hand-Spun from 20 Gauge Porcelain Steel

POWDER COAT FINISHES  
 Polyester Powder Coat Finishes Are Electro-Statically Applied and  
 Thermocured

PORCELAIN FINISHES  
 Applied by Hand and Fired in a High Temperature Oven

COPPER  
 Hand-Spun from High Purity C11000-O60 ETP Copper

BRASS  
 Hand-Spun from High Purity C2600-O60 Brass

STEM  
 1/2" Nominal (0.84" Actual) or 3/4" Nominal (1.05" Actual) Sch 40,  
 6063 Aluminum Mounting Stem. Custom Lengths Available upon  
 Request.

GOOSENECK  
 1/2" Nominal (0.84" Actual) or 3/4" Nominal (1.05" Actual) Sch 40,  
 6063 Aluminum Gooseneck

CORD  
 Cord-Hung Pendants Include 7' of Standard Cord or 5' of Cloth  
 Cord, +/- For Socket Orientation

CHAIN  
 4-Gauge Chain Complete with Quick Link for On-Site Adjustments  
 to Chain's Length

**LED LIGHT SOURCE**

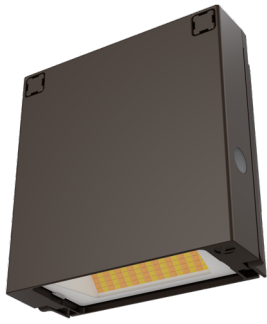
LED TYPE: CREE LMH2 MODULE  
 INITIAL LUMENS DELIVERED: UP TO 4000 LUMENS  
 L90(6K) > 36,300 HOURS  
 AVAILABLE CCT: 2700K, 3000K, 3500K, 4000K  
 Custom Temperatures Available upon Request  
 90+ CRI  
 2 STEP MACADAMS ELLIPSE  
 EFFICACY: UP TO 93 LPW  
 High Efficacy Available upon Request, Consult Factory for  
 Additional Information

**ELECTRICAL/LED DRIVER**

DRIVER TYPE: ERP ESS/T & ESP/T  
 POWER FACTOR > 0.9  
 EFFICIENCY: UP TO 87% TYPICAL  
 INPUT VOLTAGE: 120-277 VAC (SEE DIMMING SECTION)  
 CLASS 2 POWER SUPPLY  
 LED DRIVER LIFETIME: > 100,000 HOURS (@ 25 DEG C AMBIENT)  
 IP64 MINIMUM RATING CASE WITH SILICONE-BASED POTTING  
 PROTECTIONS  
 Output Open Load, Over-Current and Short-Circuit (hiccup), and  
 Over-Temperature with Auto Recovery  
 CONDUCTED AND RADIATED EMI  
 Compliant with FCC CFR Title 47 Part 15 Class B (120 Vac), Class A  
 (277 Vac) and EN55015 (CISPR 15) at 220, 230 and 240 Vac  
 COMPLIANT WITH  
 Complies with Energy Star® DLR (DesignLight Consortium®) and CA  
 Title 24 Technical Requirements

**DIMMING**

TRI-MODE DIMMING™  
 Compatible with TRIAC (forward-phase or leading-edge), ELV  
 (reverse-phase or trailing-edge) and 0-10 V Dimmers  
 DIMMING RANGE 1-100%  
 The Dimming Range Is Dependent on Each Specific Dimmer. May  
 Not Be Able to Achieve 1% Dimming with Some Dimmers.  
 TRIAC AND ELV DIMMING ONLY AT 120 VAC  
 ELV DIMMING AT 230 VAC  
 Available by Request  
 COMPATIBLE DIMMERS  
 Consult Factory for Additional Information on Dimming



# WPX0 LED Wall Pack



Catalog  
Number

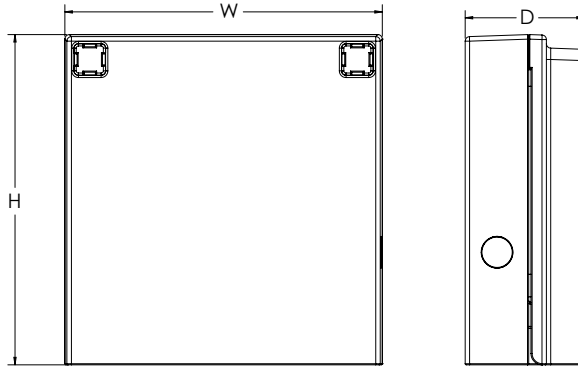
Notes

Type

Hit the Tab key or mouse over the page to see all interactive elements.

## Specifications

- Depth (D):** 2"
- Height (H):** 5.75"
- Width (W):** 5.5"
- Weight:** 2.5lbs



## Introduction

The WPX LED wall packs are energy-efficient, cost-effective, and aesthetically appealing solutions for both HID wall pack replacement and new construction opportunities. Available in four sizes, the WPX family delivers 850 to 9,200 lumens with a wide, uniform distribution.

The WPX0 full cut-off wall pack is an excellent above the door lighting solution. Reliable IP66 construction and excellent LED lumen maintenance ensure a long service life. Standard features such as Adjustable Lumen Output (ALO), color switching and switchable photocell make WPX0 ideal for any application.

## Ordering Information

**EXAMPLE: WPX0 LED ALO SWW2 MVOLT PE DDBXD**

Series	Color Temperature	Voltage	Controls	Finish
WPX0 LED ALO 850 - 1,650 Lumens	SWW2 3000K / 4000K / 5000K	MVOLT 120V - 277V	PE Photocell (On/Off)	DDBXD Dark bronze

Note: The lumen output and input power shown in the ordering tree are average representations of all configuration.

### NOTES:

Default out of the box settings: 1,650 Lumens, 4000K, Photocell enabled

## FEATURES & SPECIFICATIONS

### INTENDED USE

The WPX LED wall packs are designed to provide a cost-effective, energy-efficient solution for the one-for-one replacement of existing HID wall packs. The WPX0, WPX1, WPX2 and WPX3 are ideal for replacing up to 70W, 150W, 250W, and 400W HID luminaires respectively. WPX luminaires deliver a uniform, wide distribution. WPX is rated for -40°C to 40°C.

### CONSTRUCTION

WPX feature a die-cast aluminum main body with optimal thermal management that both enhances LED efficacy and extends component life. The luminaires are IP66 rated, and sealed against moisture or environmental contaminants.

### ELECTRICAL

Light engine consist of high-efficacy LEDs and LED lumen maintenance of L86/100,000 hours. Color temperature (CCT) can be switched between 3000K, 4000K and 5000K with minimum CRI of 80. Electronic driver ensures system power factor >90% and THD <20%. The luminaire operates on MVOLT (120V - 277V) input.

A module inside the luminaire allows the installer to not only switch between CCTs, but also the adjust the lumen output and switch on and off the photocell (PE).

### INSTALLATION

WPX can be mounted directly over a standard electrical junction box. A port on the back surface allows poke-through conduit wiring on surfaces that don't have an electrical junction box. Wiring can be made in the integral wiring compartment in all cases. WPX is only recommended for installations with LEDs facing downwards.

### LISTINGS

CSA Certified to meet U.S. and Canadian standards. Suitable for wet locations. IP66 Rated. DesignLights Consortium® (DLC) qualified product. Not all versions of this product may be DLC qualified. Please check the DLC Qualified Products List at [www.designlights.org/OPL](http://www.designlights.org/OPL) to confirm which versions are qualified.

### WARRANTY

5-year limited warranty. This is the only warranty provided and no other statements in this specification sheet create any warranty of any kind. All other express and implied warranties are disclaimed. Complete warranty terms located at: [www.acuitybrands.com/CustomerResources/Terms\\_and\\_conditions.aspx](http://www.acuitybrands.com/CustomerResources/Terms_and_conditions.aspx).

**Note:** Actual performance may differ as a result of end-user environment and application. All values are design or typical values, measured under laboratory conditions at 25°C. Specifications subject to change without notice.



## Performance Data

### Electrical Load

ALO Setting	Input Power (W)	120 V (A)	208 V (A)	240 V (A)	277 V (A)
ALO 4	13.0	0.11	0.06	0.05	0.05
ALO 3	9.2	0.08	0.04	0.04	0.03
ALO 2	7.8	0.07	0.04	0.03	0.03
ALO 1	6.4	0.05	0.03	0.03	0.02

### Lumen Output

ALO Setting	Color Temperature	Lumen Output
ALO 4	3000K	1,591
	4000K	1,644
	5000K	1,667
ALO 3	3000K	1,164
	4000K	1,191
	5000K	1,225
ALO 2	3000K	974
	4000K	994
	5000K	1,025
ALO 1	3000K	814
	4000K	829
	5000K	859

### Lumen Ambient Temperature (LAT) Multipliers

Use these factors to determine relative lumen output for average ambient temperatures from 0-50°C (32-122°F).

Ambient	Ambient	Lumen Multiplier
0°C	32°F	1.027
5°C	41°F	1.023
10°C	50°F	1.018
15°C	59°F	1.012
20°C	68°F	1.006
25°C	77°F	1.000
30°C	86°F	0.993
35°C	95°F	0.986
40°C	104°F	0.979

### Projected LED Lumen Maintenance

Data references the extrapolated performance projections in a 25°C ambient, based on 6,000 hours of LED testing (tested per IESNA LM-80-08 and projected per IESNA TM-21-11).





To calculate LLF, use the lumen maintenance factor that corresponds to the desired number of operating hours below. For other lumen maintenance values, contact factory.

Operating Hours	50,000	75,000	100,000
Lumen Maintenance Factor	>0.93	>0.89	>0.86

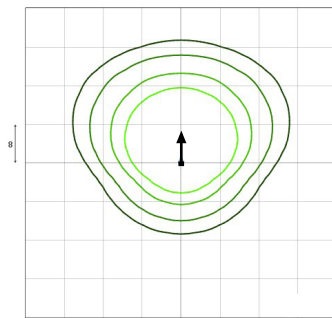
## Photometric Diagrams

To see complete photometric reports or download .ies files for this product, visit the Lithonia Lighting [WPX LED](#) homepage. Tested in accordance with IESNA LM-79 and LM-80 standards

#### LEGEND

	0.1 fc
	0.2 fc
	0.5 fc
	1.0 fc

#### WPX0 LED ALO4



## Switchable Features



# AXIS P3268-LVE Dome Camera

## Outdoor 8 MP dome with IR and deep learning

Featuring Lightfinder 2.0, Forensic WDR, and OptimizedIR, AXIS P3268-LVE delivers excellent image quality under any light conditions. Based on the latest Axis system-on-chip (SoC), it includes a deep learning processing unit enabling advanced features and powerful analytics based on deep learning on the edge. Thanks to AXIS Object Analytics, it offers detection and classification of humans, vehicles, and types of vehicles—all tailored to your specific needs. Featuring audio and I/O connectivity, you can integrate equipment and extend the value of your system. Furthermore, this robust, IK10-rated, outdoor-ready camera includes built-in cybersecurity to help prevent unauthorized access and safeguard your system.

- > [Excellent image quality in brilliant 4K](#)
- > [Lightfinder 2.0, Forensic WDR, and OptimizedIR](#)
- > [Analytics with deep learning](#)
- > [Audio and I/O connectivity](#)
- > [Built-in cybersecurity features](#)



# AXIS P3268-LVE Dome Camera

<b>Camera</b>		Wide dynamic range Video streaming indicator IR illumination
<b>Image sensor</b>	1/1.8" progressive scan RGB CMOS	
<b>Lens</b>	Varifocal, 4.3–8.6 mm, F1.5 Horizontal field of view: 100°–53° Vertical field of view: 54°–30° Minimum focus distance: 50 cm (20 in) IR corrected, remote zoom and focus, P-Iris control	
<b>Day and night</b>	Automatically removable infrared-cut filter	
<b>Minimum illumination</b>	With Forensic WDR and Lightfinder 2.0: Color: 0.14 lux at 50 IRE, F1.5 B/W: 0 lux at 50 IRE, F1.5	
<b>Shutter speed</b>	1/8500 s to 1/5 s	
<b>Camera angle adjustment</b>	Pan ±190°, tilt -10 to +80°, rotation ±190°	
<b>System on chip (SoC)</b>		
<b>Model</b>	ARTPEC-8	
<b>Memory</b>	2048 MB RAM, 8192 MB Flash	
<b>Compute capabilities</b>	Deep learning processing unit (DLPU)	
<b>Video</b>		
<b>Video compression</b>	H.264 (MPEG-4 Part 10/AVC) Baseline, Main, and High Profiles H.265 (MPEG-H Part 2/HEVC) Main Profile Motion JPEG	
<b>Resolution</b>	3840x2160 to 160x90	
<b>Frame rate</b>	25/30 fps with power line frequency 50/60 Hz	
<b>Video streaming</b>	Multiple, individually configurable streams in H.264, H.265, and Motion JPEG Axis Zipstream technology in H.264 and H.265 Controllable frame rate and bandwidth VBR/ABR/MBR H.264/H.265 Low latency mode Video streaming indicator	
<b>Multi-view streaming</b>	Up to 2 individually cropped out view areas in full frame rate	
<b>Image settings</b>	Saturation, contrast, brightness, sharpness, Forensic WDR: up to 120 dB depending on scene, white balance, day/night threshold, local contrast, tone mapping, exposure mode, exposure zones, defogging, barrel distortion correction, compression, rotation: 0°, 90°, 180°, 270° including Corridor Format, mirroring, dynamic text and image overlay, privacy masks, polygon privacy mask	
<b>Pan/Tilt/Zoom</b>	Digital PTZ, preset positions	
<b>Audio</b>		
<b>Audio streaming</b>	Audio in, simplex, two-way audio via edge-to-edge technology	
<b>Audio encoding</b>	24bit LPCM, AAC-LC 8/16/32/44.1/48 kHz, G.711 PCM 8 kHz, G.726 ADPCM 8 kHz, Opus 8/16/48 kHz Configurable bit rate	
<b>Audio input/output</b>	External microphone input, line input, digital input with ring power, automatic gain control, network speaker pairing	
<b>Network</b>		
<b>Network protocols</b>	IPv4, IPv6 USGv6, ICMPv4/ICMPv6, HTTP, HTTPS, HTTP/2, TLS, QoS Layer 3 DiffServ, FTP, SFTP, CIFS/SMB, SMTP, mDNS (Bonjour), UPnP®, SNMP v1/v2c/v3 (MIB-II), DNS/DNSv6, DDNS, NTP, NTS, RTSP, RTCP, RTP, SRTP/RTSPS, TCP, UDP, IGMPv1/v2/v3, DHCPv4/v6, ARP, SSH, SIP, LLDP, CDP, MQTT v3.1.1, Secure syslog (RFC 3164/5424, UDP/TCP/TLS), Link-Local address (ZeroConf)	
<b>System integration</b>		
<b>Application Programming Interface</b>	Open API for software integration, including VAPIX® and AXIS Camera Application Platform; specifications at <a href="https://axis.com">axis.com</a> One-click cloud connection ONVIF® Profile G, ONVIF® Profile M, ONVIF® Profile S, and ONVIF® Profile T, specification at <a href="https://onvif.org">onvif.org</a> Support for Session Initiation Protocol (SIP) for integration with Voice over IP (VoIP) systems, peer to peer or integrated with SIP/PBX.	
<b>Onscreen controls</b>	Day/night shift Defogging	
<b>Event conditions</b>	Analytics, external input, supervised external input, virtual inputs through API Call: state, state change Device status: above operating temperature, above or below operating temperature, below operating temperature, within operating temperature, IP address removed, new IP address, network lost, system ready, ring power overcurrent protection, live stream active, casing open Digital audio: digital signal contains Axis metadata, digital signal has invalid sample rate, digital signal missing, digital signal okay Edge storage: recording ongoing, storage disruption, storage health issues detected I/O: digital input, manual trigger, virtual input MQTT: subscribe Scheduled and recurring: schedule Video: average bitrate degradation, day-night mode, live stream open, tampering	
<b>Event actions</b>	Overlay text, external output activation, zoom preset, day/night mode, flash status LED, use lights, set defog mode, set WDR mode Calls: end SIP call, make SIP call, answer call I/O: toggle I/O once, toggle I/O while the rule is active MQTT: publish Notification: email, HTTP, HTTPS, TCP, and SNMP trap Pre- and post-alarm video or image buffering for recording or upload Record video: SD card and network share Upload of images or video clips: FTP, SFTP, HTTP, HTTPS, network share, and email	
<b>Built-in installation aids</b>	Remote zoom and focus, straighten image, pixel counter, level grid	
<b>Analytics</b>		
<b>AXIS Object Analytics</b>	Object classes: humans, vehicles (types: cars, buses, trucks, bikes) Scenarios: line crossing, object in area, crossline counting, occupancy in area, time in area Up to 10 scenarios Metadata visualized with color-coded bounding boxes Polygon include/exclude areas Perspective configuration ONVIF Motion Alarm event	
<b>Metadata</b>	Object data: Classes: humans, faces, vehicles (types: cars, buses, trucks, bikes), license plates Attributes: Vehicle color, upper/lower clothing color, confidence, position Event data: Producer reference, scenarios, trigger conditions	
<b>Applications</b>	Included AXIS Object Analytics AXIS Live Privacy Shield AXIS Video Motion Detection, active tampering alarm, audio detection Support for AXIS Camera Application Platform enabling installation of third-party applications, see <a href="https://axis.com/acap">axis.com/acap</a>	
<b>Approvals</b>		
<b>EMC</b>	EN 55035, EN 55032 Class A, EN 50121-4, EN 61000-3-2, EN 61000-3-3, EN 61000-6-1, EN 61000-6-2 Australia/New Zealand: RCM AS/NZS CISPR 32 Class A Canada: ICES-3(A)/NMB-3(A) Japan: VCCI Class A Korea: KC KN32 Class A, KC KN35 USA: FCC Part 15 Subpart B Class A Railway: IEC 62236-4 CAN/CSA C22.2 No. 62368-1 ed. 3, IEC/EN/UL 62368-1 ed. 3, IEC/EN 62471, IS 13252	
<b>Environment</b>	IEC 60068-2-1, IEC 60068-2-2, IEC 60068-2-6, IEC 60068-2-14, IEC 60068-2-27, IEC 60068-2-78, IEC/EN 60529 IP66, IEC/EN 62262 IK10, NEMA 250 Type 4X, NEMA TS 2 (2.2.7-2.2.9)	
<b>Network</b>	NIST SP500-267	



<b>Cybersecurity</b>	ETSI EN 303 645		Audio: 3.5 mm mic/line in
<b>Cybersecurity</b>			
<b>Edge security</b>	Software: Signed firmware, brute force delay protection, digest authentication and OAuth 2.0 RFC6749 OpenID Authorization Code Flow for centralized ADFS account management, password protection, AES-XTS-Plain64 256bit SD card encryption Hardware: Axis Edge Vault cybersecurity platform Secure element (CC EAL 6+), system-on-chip security (TEE), Axis device ID, secure keystore, signed video, secure boot, encrypted filesystem (AES-XTS-Plain64 256bit)	<b>IR illumination</b>	Optimized IR with power-efficient, long-life 850 nm IR LEDs Range of reach 40 m (130 ft) or more depending on the scene
<b>Network security</b>	IEEE 802.1X (EAP-TLS, PEAP-MSCHAPv2), IEEE 802.1AE (MACsec PSK/EAP-TLS), IEEE 802.1AR, HTTPS/HSTS, TLS v1.2/v1.3, Network Time Security (NTS), X.509 Certificate PKI, host-based firewall	<b>Storage</b>	Support for microSD/microSDHC/microSDXC card Support for SD card encryption (AES-XTS-Plain64 256bit) Recording to network-attached storage (NAS) For SD card and NAS recommendations see <a href="http://axis.com">axis.com</a>
<b>Documentation</b>	<i>AXIS OS Hardening Guide</i> <i>Axis Vulnerability Management Policy</i> <i>Axis Security Development Model</i> AXIS OS Software Bill of Material (SBOM) To download documents, go to <a href="http://axis.com/support/cybersecurity/resources">axis.com/support/cybersecurity/resources</a> To read more about Axis cybersecurity support, go to <a href="http://axis.com/cybersecurity">axis.com/cybersecurity</a>	<b>Operating conditions</b>	-40 °C to 50 °C (-40 °F to 122 °F) Maximum temperature according to NEMA TS 2 (2.2.7): 74 °C (165 °F) Start-up temperature: -30 °C to 50 °C (-22 °F to 122 °F) Humidity 10–100% RH (condensing)
<b>General</b>		<b>Storage conditions</b>	-40 °C to 65 °C (-40 °F to 149 °F) Humidity 5–95% RH (non-condensing)
<b>Casing</b>	IP66-, NEMA 4X- and IK10-rated Polycarbonate hard coated dome Polycarbonate casing and weathershield Color: white NCS S 1002-B For repainting instructions, go to the product's support page. For information about the impact on warranty, go to <a href="http://axis.com/warranty-implication-when-repainting">axis.com/warranty-implication-when-repainting</a> .	<b>Dimensions</b>	Without weathershield: Height: 107 mm (4.21 in) ø 149 mm (5.87 in)
<b>Mounting</b>	Mounting bracket with junction box holes (double-gang, single-gang, and 4" octagon) and for wall or ceiling mount	<b>Weight</b>	With weathershield: 900 g (2.0 lb)
<b>Sustainability</b>	PVC free, BFR/CFR free 6.4% bioplastics	<b>Included accessories</b>	Installation guide, Windows® decoder 1-user license, drill template, RESISTORX® T20 screw bit, terminal block connectors, cable gaskets, connector guard, weathershield
<b>Power</b>	Power over Ethernet (PoE) IEEE 802.3af/802.3at Type 1 Class 3 Typical 5.5 W, max 11.2 W	<b>Optional accessories</b>	AXIS TP3201-E Recessed Mount, AXIS TP3103-E Pendant Kit, AXIS T8355 Digital Microphone 3.5 mm, AXIS TP3824-E Dome Clear/Smoked, AXIS TP3821-E Casing Black/White, AXIS Surveillance Cards For more accessories, see <a href="http://axis.com">axis.com</a>
<b>Connectors</b>	RJ45 10BASE-T/100BASE-TX PoE I/O: 4-pin 2.5 mm (0.098 in) terminal block for 1 supervised digital input and 1 digital output (12 V DC output, max. load 25 mA)	<b>Video management software</b>	AXIS Companion, AXIS Camera Station, video management software from Axis Application Development Partners available at <a href="http://axis.com/vms">axis.com/vms</a>
		<b>Languages</b>	English, German, French, Spanish, Italian, Russian, Simplified Chinese, Japanese, Korean, Portuguese, Polish, Traditional Chinese, Dutch, Czech, Swedish, Finnish, Turkish, Thai, Vietnamese
		<b>Warranty</b>	5-year warranty, see <a href="http://axis.com/warranty">axis.com/warranty</a>