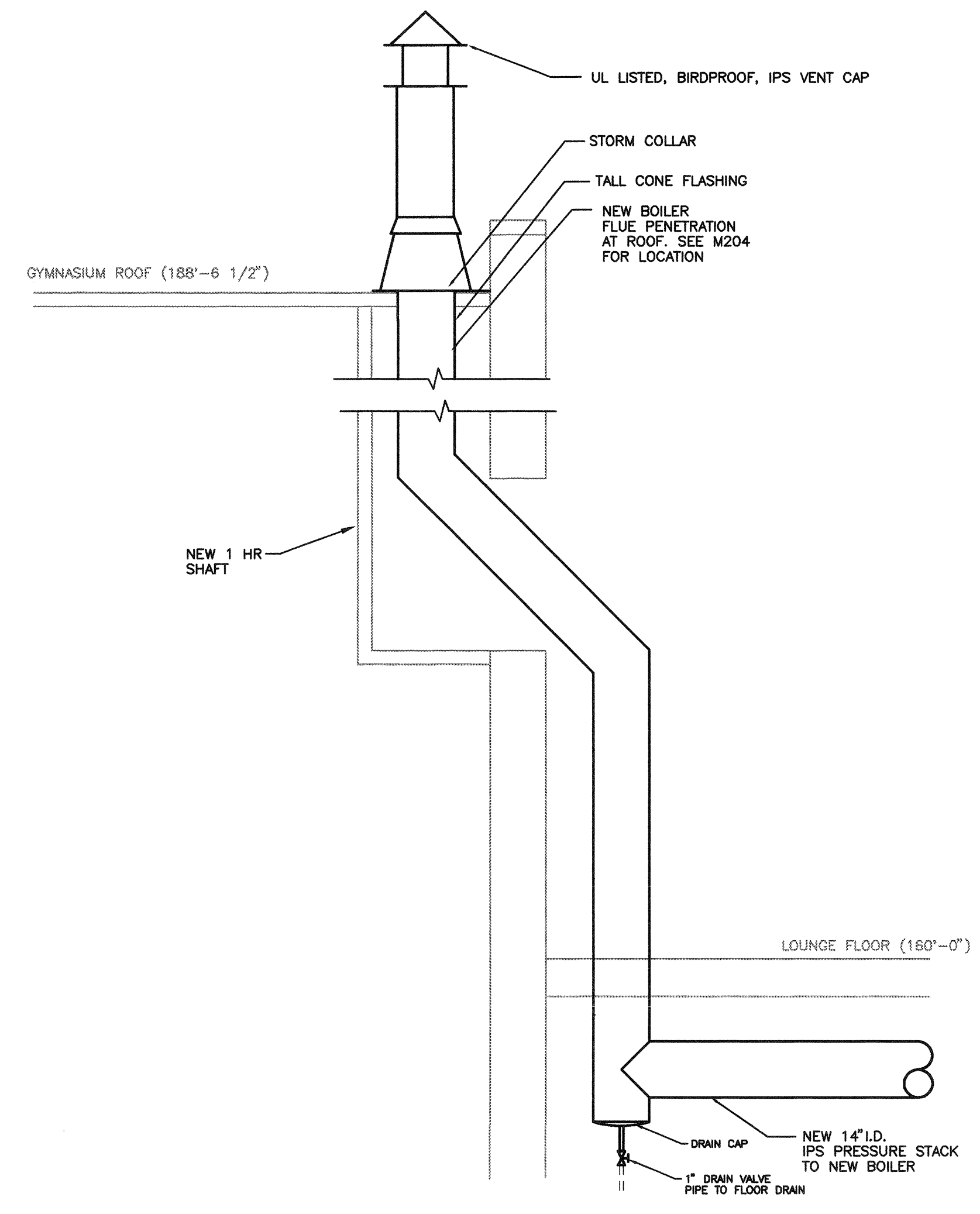
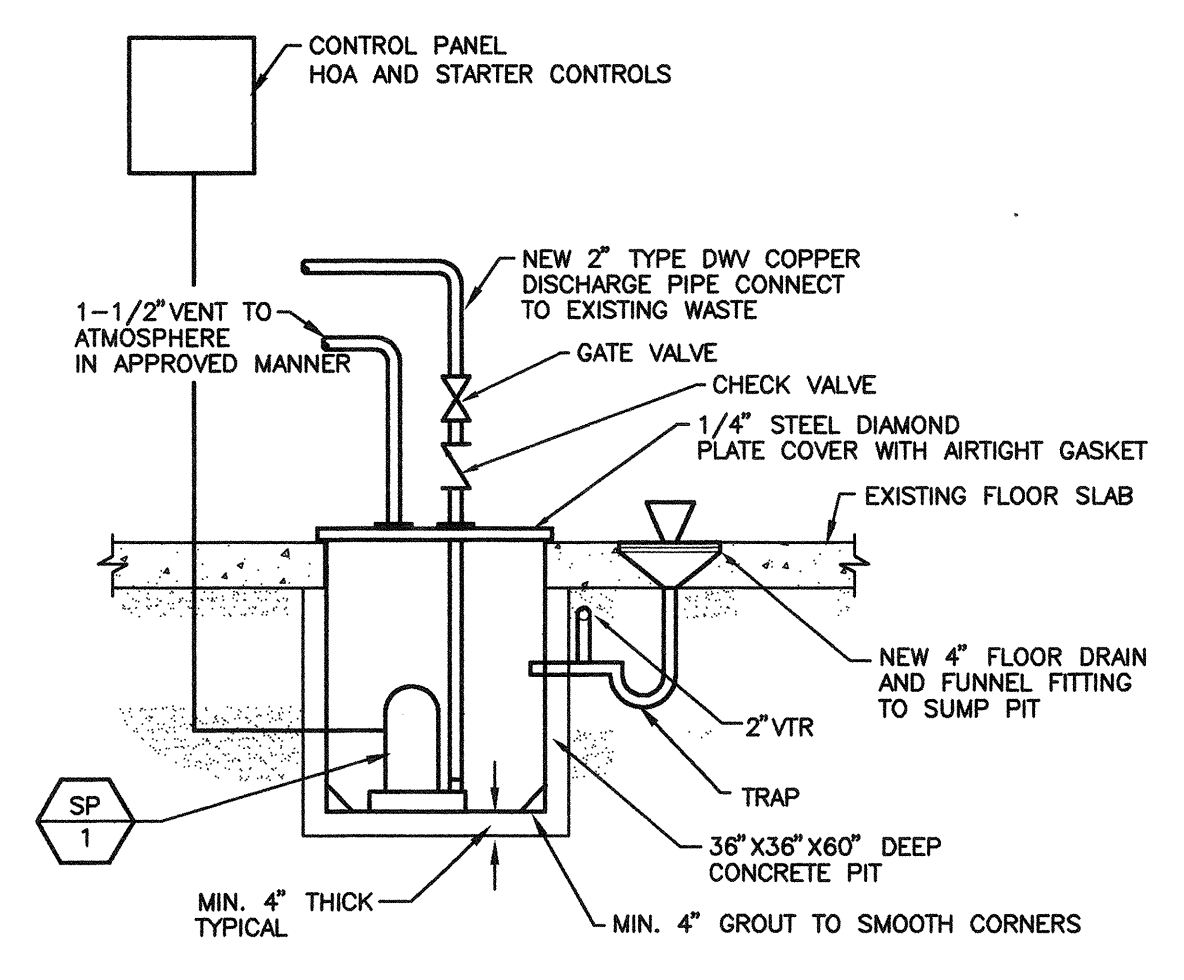


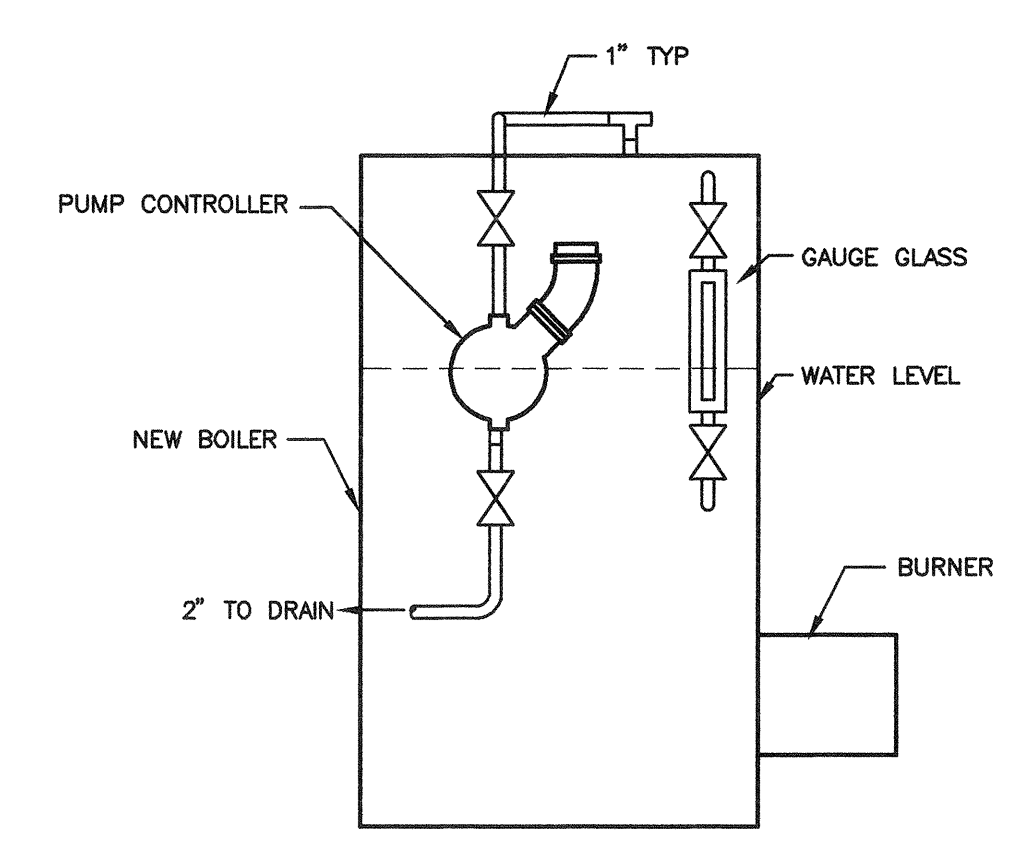
SECTION A
M303 1/2"=1'-0"



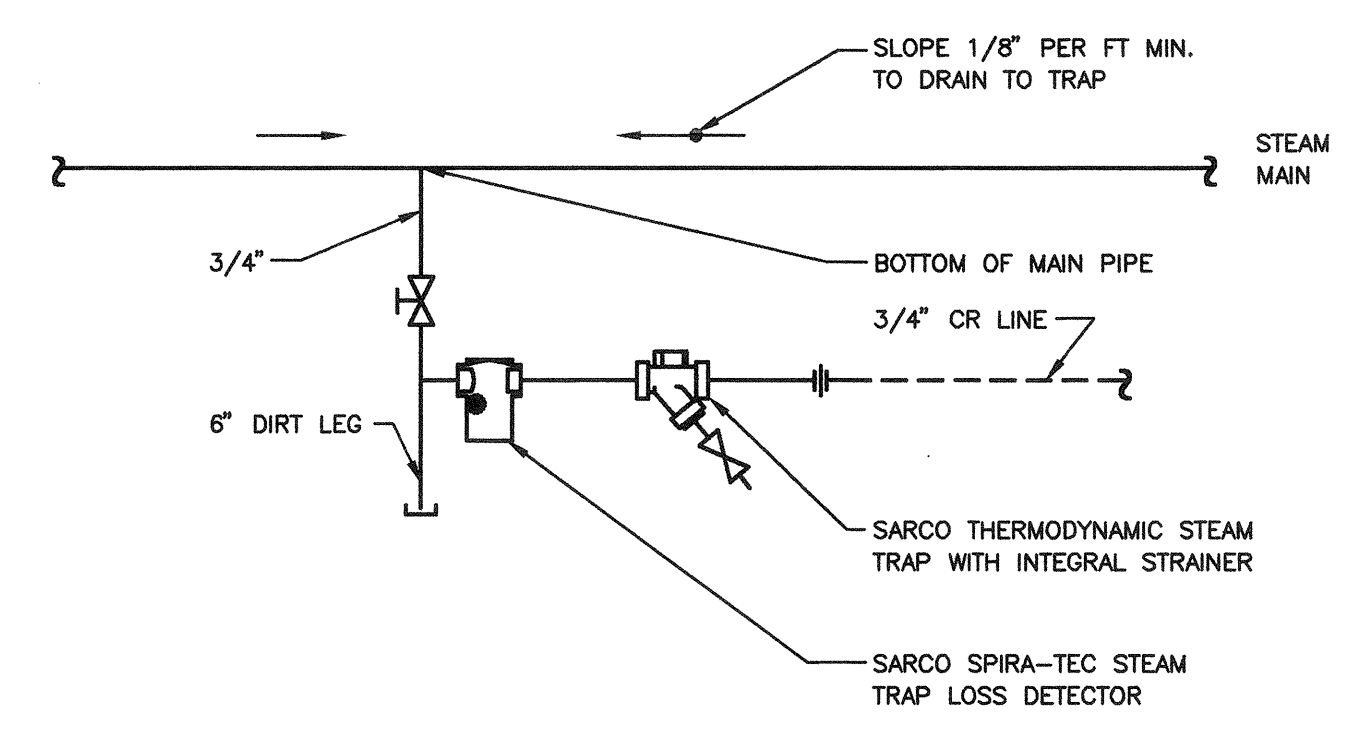
SECTION B
M303 1/2"=1'-0"



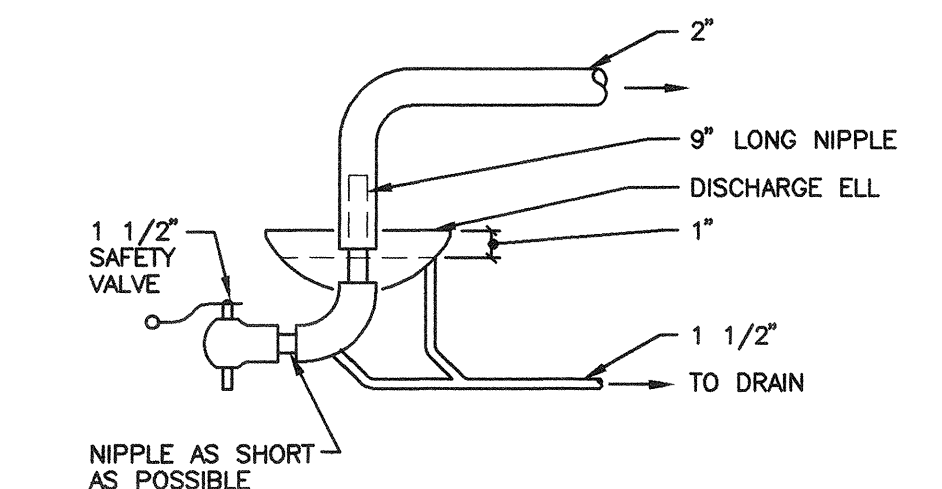
SUMP PUMP DETAIL
M303 NO SCALE



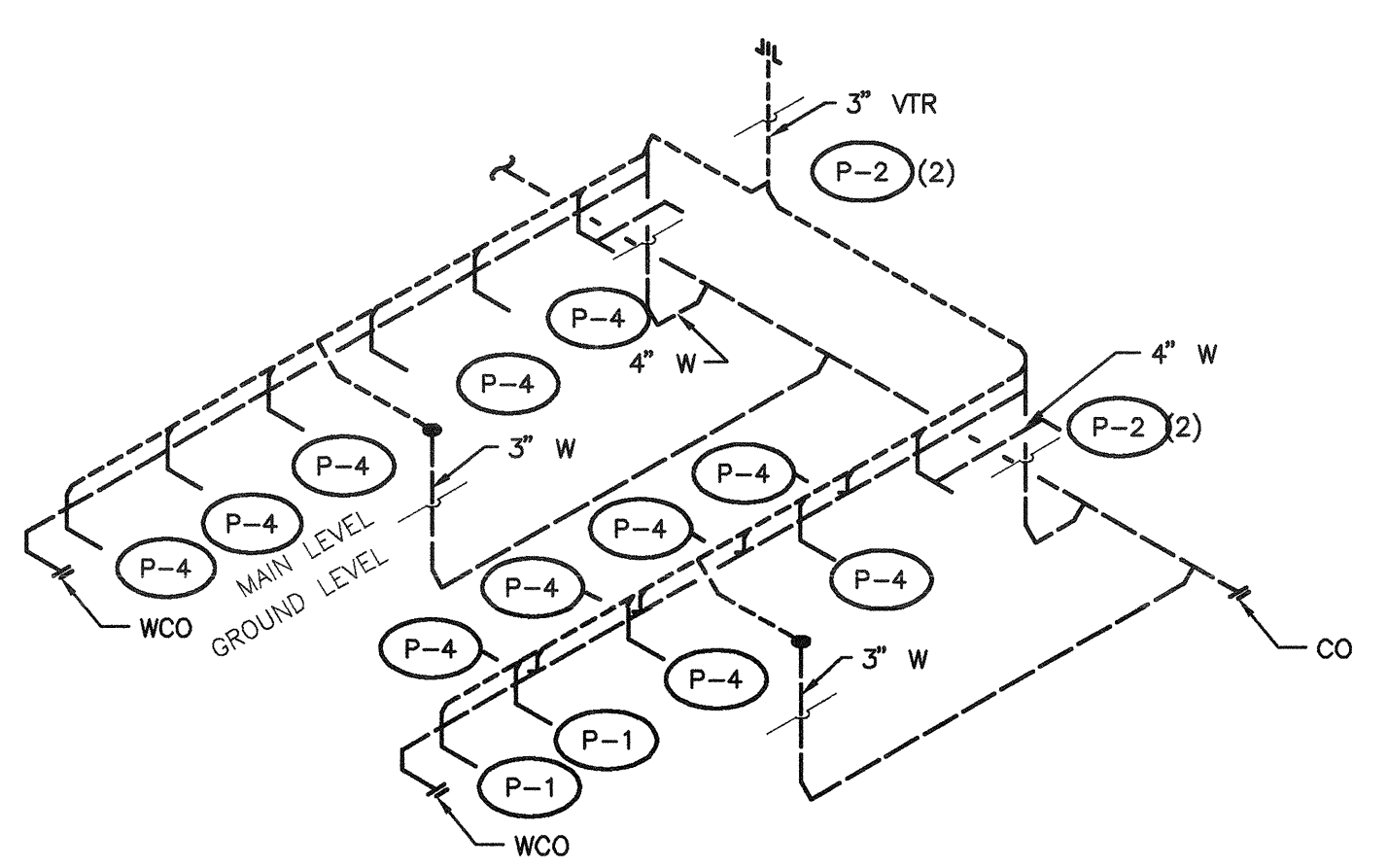
BOILER FLOAT CONTROL DETAIL
M303 NO SCALE



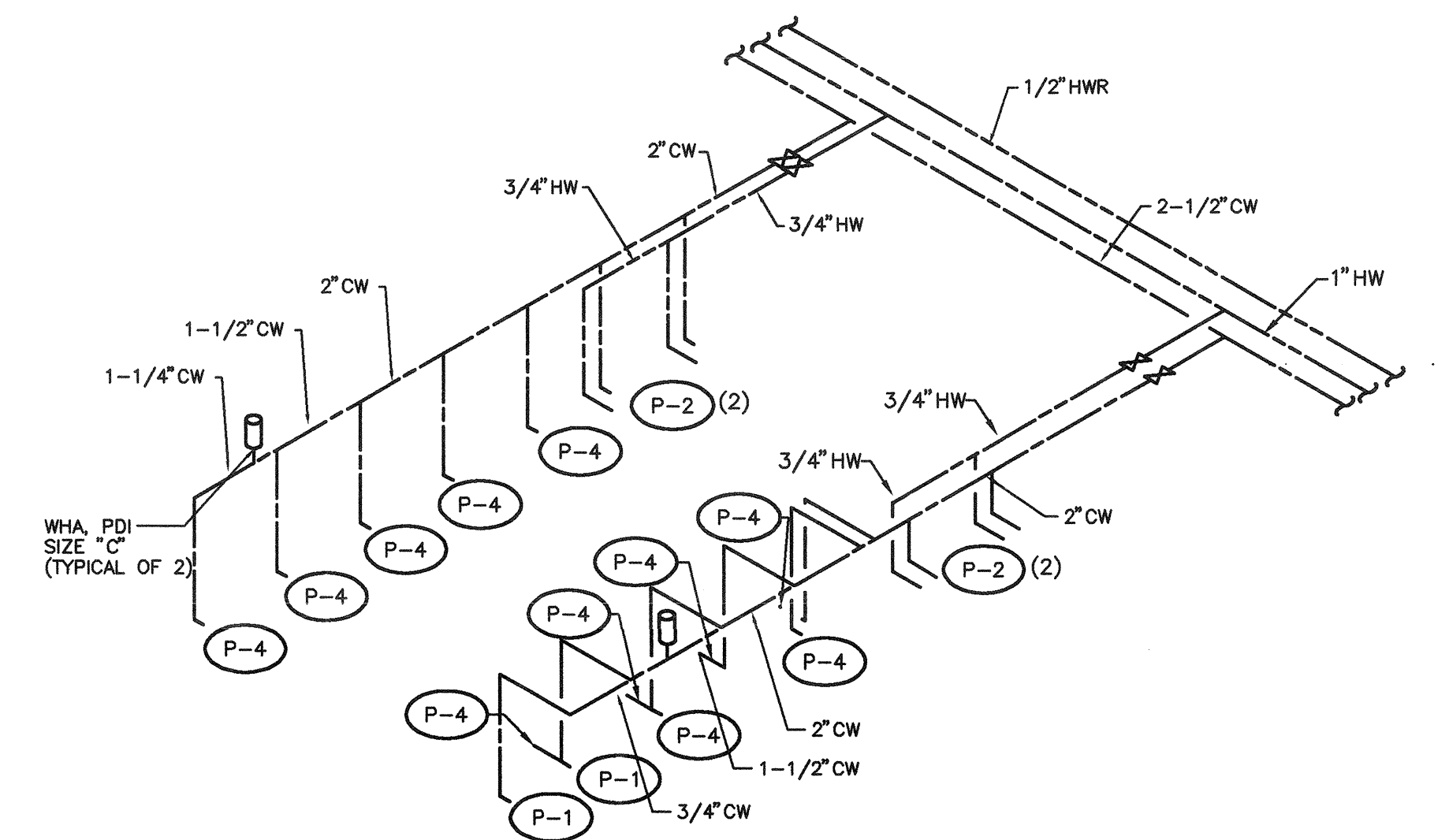
TYPICAL STEAM TRAP DETAIL
M303 NO SCALE



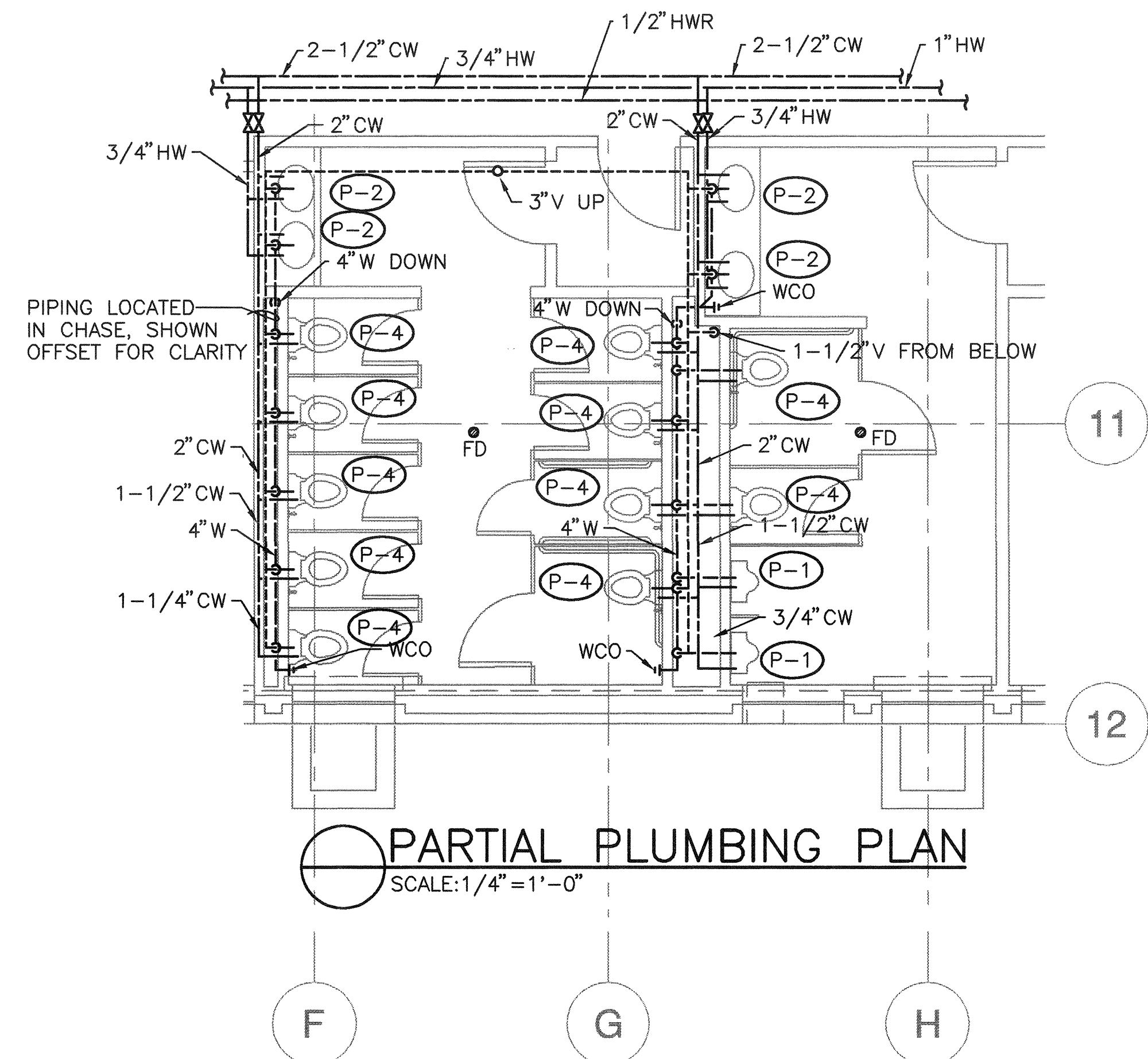
SAFETY VALVE DISCHARGE
M303 NO SCALE




NEW TOILET ROOM WASTE RISER
M303 SCALE: NONE



NEW TOILET ROOM WATER RISER
M303 SCALE: NONE




PARTIAL PLUMBING PLAN
SCALE: 1/4"=1'-0"



ARAI/JACKSON
Architects & Planners
1601 East John • Seattle, WA 98112
Tel: 206-323-8800 Fax: 206-323-8518

**CONSTRUCTION DOCUMENTS
BID SET**

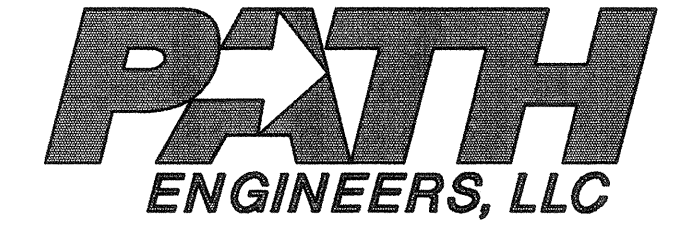


EXPIRES: 7/8/04

| | | |
|-----|----------------------|----------|
| 3 | BID SET | 12/11/02 |
| 2 | PERMIT CORRECTIONS 1 | 7/15/02 |
| NO. | REVISION - AS BUILT | DATE |

REVIEWED: *J. Johnson* 1/15/03
PARK ENGINEER DATE

All work done in accordance with the City of Seattle Standard Plans and Specifications in effect on the date shown above, and supplemented by Special Provisions.



PATH ENGINEERS, LLC

17928 BOTHELL EVERETT HWY SE, SUITE H
BOTHELL, WASHINGTON 98012
(425) 481-7735 FAX (425) 481-7692

CONTACT: MIKE HENABY
JOB NUMBER: 023261

**SAND POINT
MAGNUSON PARK
COMMUNITY RECREATION CENTER
BUILDING 47**

**MECHANICAL BOILER
ROOM PLAN
AND DETAILS**

| | |
|-------------------------------|---------------------|
| DESIGNED: KWB | DATE: JULY 23, 2002 |
| DRAWN: CEA | DESIGN REVIEW: |
| CHECKED: TEP | |
| ORDINANCE NO. 119812 & 119987 | SHEET 59 OF 76 |
| CONTRACT NO. 1616 | |
| SCALE: AS NOTED | |