

**DOOR AND FRAME SCHEDULE**

DOOR NO.	TYPE	SIZE			MATL	FINISH	GLAZ	FRAME			FIRE RATING (HR)	HDWR SET NO.	REMARKS		
		WIDTH	HEIGHT	THK				MATL	FINISH	HEAD				JAMB	THRESH
100a	(E) B	2'-10"	7'-0"	1-3/4"	HM	P		(E) HM	P			1	1, 10		
100b	(E) J	2'-6"	7'-0"	1-3/4"	MTL							2	2		
104	J	2'-6"	3'-0"	1-3/4"	HM	P		HM	P	18/A703	18/A703	3 HR.	3	ACCESS DR, 8	
105a	J	2'-6"	2'-6"	1-3/4"	HM	P		HM	P	18/A703	18/A703	1 HR.	3	ACCESS DR, 8	
105b	C	3'-6" PR	8'-0"	1-3/4"	HM	P		HM	P	3/A703	3/A703		4	9	
106	C	3'-6" PR	8'-0"	1-3/4"	HM	P		HM	P	3/A703	3/A703	1 HR.	5	8	
107	B	3'-0"	6'-8"	1-3/4"	HM	P		HM	P	3/A703	3/A703	1 HR.	6	8	
108	B	3'-0"	7'-0"	1-3/4"	HM	P		HM	P	1/A703	1/A703	1 HR.	7	8	
111a	E	3'-0"	7'-0"	1-3/4"	HM	P	GL-1	HM	P	1/A703	1/A703	1 HR.	8	8	
111b	G	3'-0"	7'-0"	1-3/4"	HM	P	GL-1	HM	P	3/A703	3/A703		31	10	
123	(E) A SIM.	2'-8"	6'-7"	1-3/4"	ALUM/GL	FCTRY		(E) WD					2		
130	C	2'-9" PR	7'-0"	1-3/4"	HM	P		HM	P	3/A703	3/A703		10	9	
132	(E) E SIM.												2	10	
200a	C	3'-0" PR	6'-61/2"	1-3/4"	SC WD	P		WD	P	2/A703	2/A703	1 HR.	11	8	
200b	C	3'-0" PR	6'-61/2"	1-3/4"	SC WD	P		WD	P	2/A703	2/A703	1 HR.	11	8	
202	B	3'-0"	7'-0"	1-3/4"	SC WD	P		WD	P	2/A703	2/A703	1 HR.	12	8	
208	B	3'-0"	7'-0"	1-3/4"	SC WD	P		WD	P	2/A703	2/A703	1 HR.	12	8	
209	E	3'-0"	7'-0"	1-3/4"	WD/GL	P	GL-1	HM	P	1/A703	1/A703		13	8	
300a	C SIM.	4'-0" PR	8'-0"	1-3/4"	HM	P		HM	P	3/A703	3/A703		32	9, TRANSOM	
300b	B	2'-8"	7'-0"	1-3/4"	HM	P		HM	P	3/A703	3/A703	3 HR.	12	9	
301	(E) B	3'-3"	7'-0"	1-3/4"	HM	P		(E) HM	P				33	1, 9	
303a	K	3'-6"	3'-0"	1-3/4"	MTL	P							14	8	
303b	B	3'-0"	7'-0"	1-3/4"	HM	P		HM	P	3/A703	3/A703	3 HR.	12	8	
304	C	2'-6" PR	7'-0"	1-3/4"	HM	P		(E) HM	P				10	9	
306a	C	3'-0" PR	6'-10"	1-3/4"	HM	P		HM	P	10/A703	4/A703	15/A703	3 HR.	15, 8, 14	
306b	H	2'-7" PR	7'-0"	1-3/4"	SC WD	CLR		(E) WD	P				16	4, 6	
306c	H	2'-7" PR	7'-0"	1-3/4"	SC WD	CLR		(E) WD	P				17	6	
306d	H	2'-7" PR	7'-0"	1-3/4"	SC WD	CLR		(E) WD	P				17	6	
306e	C	3'-0" PR	6'-10"	1-3/4"	HM	P		HM	P	10/A703	4/A703	15/A703	3 HR.	18, 8, 14	
307	(E) B	2'-6"	7'-0"	1-3/4"	SC WD	P		(E) WD	P				2	8	
312a	B	3'-0"	7'-0"	1-3/4"	HM	P		HM	P	4/A703	4/A703	3 HR.	6	8	
312b	B	3'-0"	7'-0"	1-3/4"	SC WD	S		WD	S	2/A703	2/A703		19		
314a	B	3'-0"	7'-0"	1-3/4"	SC WD	S		WD	S	2/A703	2/A703		4/A704	20	
314b	B	3'-0"	7'-0"	1-3/4"	SC WD	S		WD	S	2/A703	2/A703		21		
315a	B	3'-0"	7'-0"	1-3/4"	SC WD	S		WD	S	2/A703	2/A703		4/A704	20	
315b	B	3'-0"	7'-0"	1-3/4"	SC WD	S		WD	S	2/A703	2/A703		21		
315c	B	3'-0"	7'-0"	1-3/4"	SC WD	P		WD	P	2/A703	2/A703		22	12	
316a	C	3'-0" PR	7'-0"	1-3/4"	SC WD	P		WD	P	17/A703	17/A703		23	11, 12	
316b	C	3'-0" PR	7'-0"	1-3/4"	SC WD	P		WD	P	17/A703	17/A703		23	11, 12	
317a	L	3'-0" PR	7'-0"	1-3/4"	SC WD	S		WD	S	2/A703	2/A703		38		
317b	L	3'-0" PR	7'-0"	1-3/4"	SC WD	S		WD	S	2/A703	2/A703		38		
318a	B	3'-0"	7'-0"	1-3/4"	SC WD	S		WD	S	2/A703	2/A703		24		
318b	C	2'-10" PR	7'-0"	1-3/4"	HM	P		HM	P	3/A703	3/A703		25	8	
320	B	3'-0"	7'-0"	1-3/4"	SC WD	S		WD	S	2/A703	2/A703		26		
322a	D	2'-8" PR	6'-7"	1-3/4"	WD/GL	P	GL-1	(E) WD	P	7/A703	7/A703		27	4, 7	
322b	D	2'-8" PR	6'-7"	1-3/4"	WD/GL	P	GL-1	(E) WD	P				28	7	
322c	D	2'-8" PR	6'-7"	1-3/4"	WD/GL	P	GL-1	(E) WD	P				28	7	
323a	A	3'-0" PR	7'-0"	1-3/4"	ALUM/GL	FCTRY		ALUM	FCTRY	5/A703			10/A703	29	5
323b	A	3'-0" PR	7'-0"	1-3/4"	ALUM/GL	FCTRY		ALUM	FCTRY	5/A703			10/A703	34	5
323c	A	3'-0" PR	7'-0"	1-3/4"	ALUM/GL	FCTRY		ALUM	FCTRY	5/A703			10/A703	34	5
325	B	3'-0"	7'-0"	1-3/4"	SC WD	S		WD	P	2/A703	2/A703	1 HR.	30		
326	B	3'-0"	7'-0"	1-3/4"	SC WD	S		WD	P	2/A703	2/A703	1 HR.	30		
328	F	3'-0"	7'-0"	1-3/4"	WD/GL	S	GL-1	WD	S	2/A703	2/A703		26		
336	B	3'-0"	7'-0"	1-3/4"	SC WD	S		WD	P	2/A703	2/A703	1 HR.	12		
338	(E) C	2'-3" PR	6'-7"	1-3/4"	WD	P		(E) WD	P				3	1, 8	
400	(E) C SIM.	4'-0" PR	7'-0"	1-3/4"	SC WD	P		(E) WD	P				35	8, 1	
401	B	2'-4"	6'-8"	1-3/4"	WD	P		(E) WD	P	2/A703	2/A703		28	13	
402	(E) B							(E) WD	P				37	13, 1	
403b	(E) B	3'-6"	7'-0"	1-3/4"	HM	P		(E) HM	P				31	10, 1	
404	B	2'-8"	6'-8"	1-3/4"	HM	P		HM	P	1/A703	1/A703	1 HR.	19	9	
X2	(E) C	3'-0" PR	6'-7"	1-3/4"	HM	P		(E) HM	P				36	1, 9	

**MATERIAL/FINISH LEGEND:**

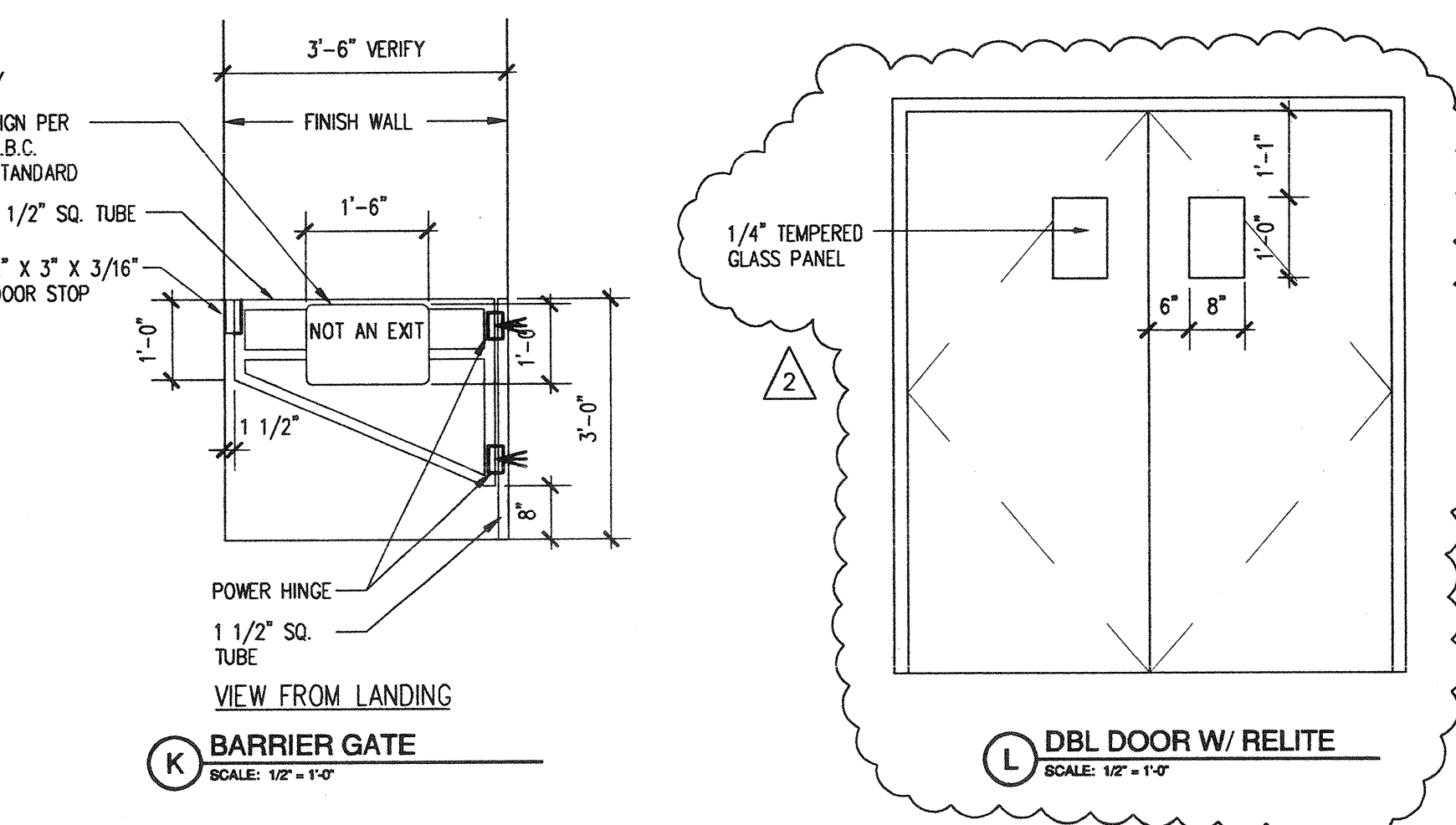
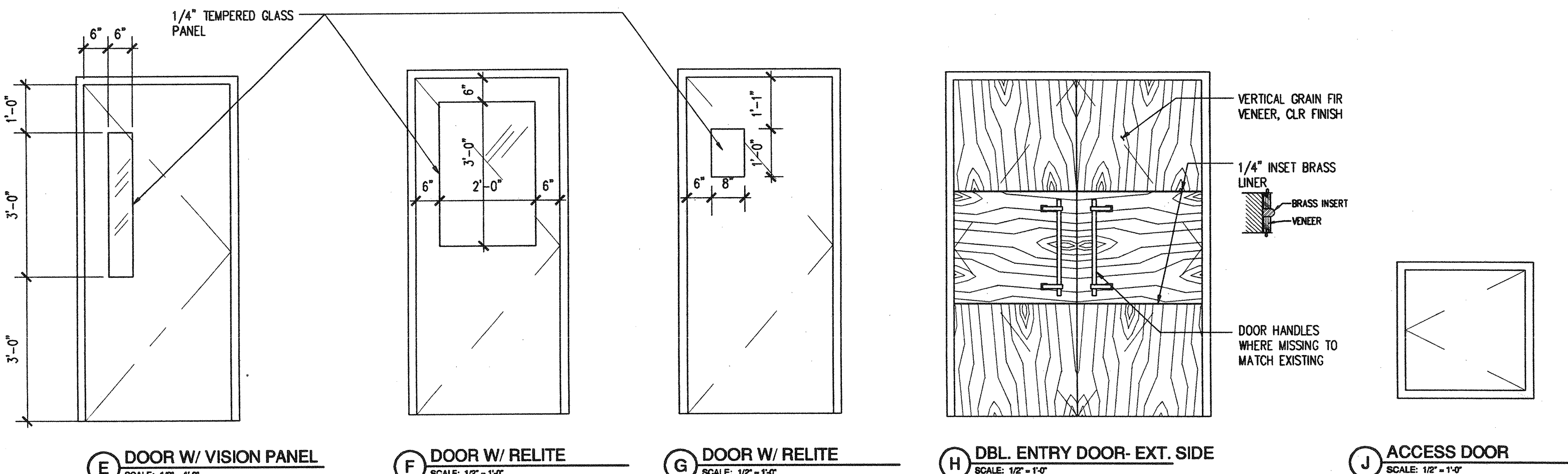
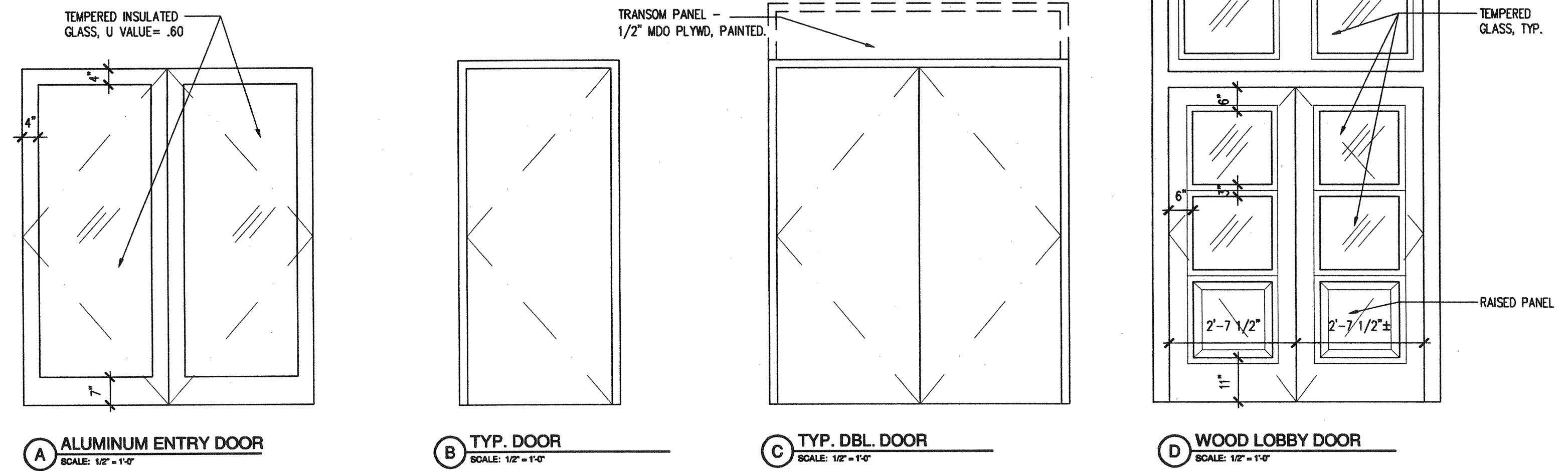
- ALUM ALUMINUM
- CLR CLEAR FINISH
- (E) EXISTING DOOR TO REMAIN
- FCTRY FACTORY FINISH
- HM HOLLOW METAL
- MTL METAL
- P PAINT PER NOTES
- S STAIN AND FINISH TO MATCH EXIST. MAPLE
- WD WOOD

**GLAZING LEGEND:**

- GL-1 CLEAR TEMPERED GLASS

**REMARKS:**

- 1 PROVIDE NEW HARDWARE FOR EXISTING DOOR
- 2 REHANG EXISTING ACCESS DOOR
- 3 MOVABLE PARTITION W/ 3'-0" X 7'-0" DOOR
- 4 FIELD VERIFY OPENING SIZE
- 5 AUTOMATIC ADA DOOR OPENER ALTERNATE #2 ONLY
- 6 PAINT INTERIOR SIDE ONLY DOOR AND TRIM W/ PRATT & LAMBERT 2014 BRANDYWINE
- 7 PAINT BOTH SIDES DOOR AND TRIM WITH PRATT & LAMBERT 2014 BRANDYWINE
- 8 PAINT BOTH SIDES DOOR AND TRIM WITH SHERWIN WILLIAMS SW2097 TRAM GRAY
- 9 PAINT EXTERIOR SIDE ONLY DOOR AND TRIM W/ SHERWIN WILLIAMS SW2097 TRAM GRAY
- 10 NO TRIM, CONCEALED HINGES
- 11 PAINT TO MATCH WALL
- 12 PAINT DOOR AND TRIM WITH PRATT & LAMBERT 2316 HEARTHSTONE
- 13 FIELD VERIFY OPENING HEIGHT



**DOOR TYPES**

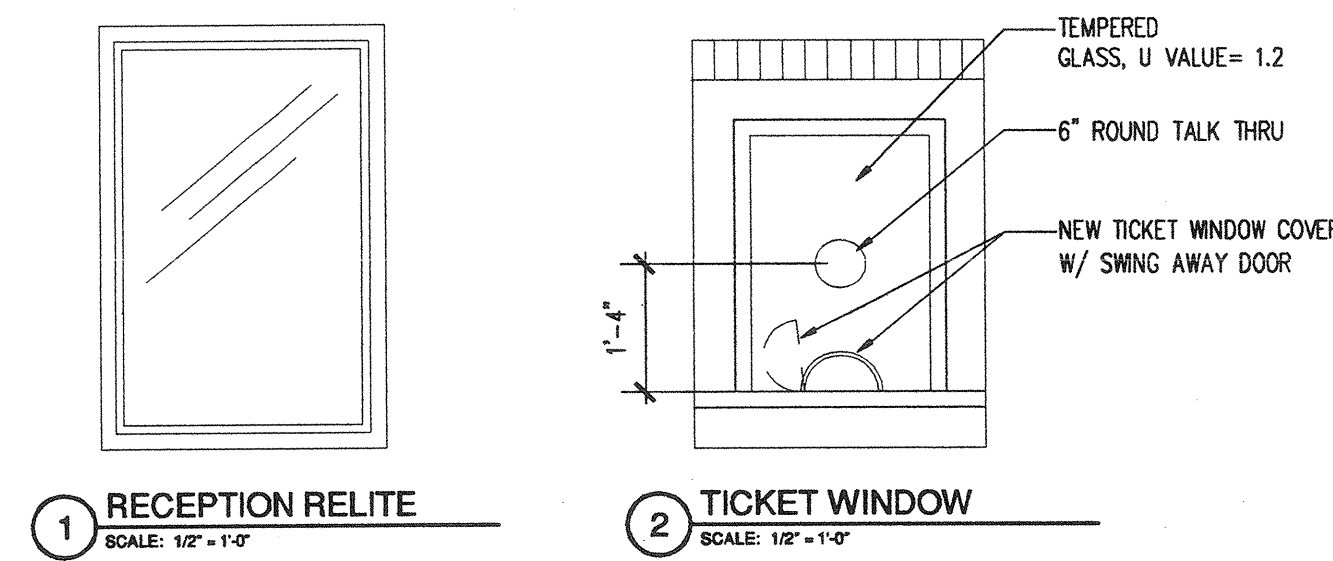
**WINDOW SCHEDULE**

TYPE No.	WINDOW SIZE/R.O.	MATL	FRAME			GLAZ	LABEL	DETAIL			U VALUE	REMARKS
			FIN	COLOR	HEAD			JAMB	SILL			
1	3'-0" X 4'-6"	WD		S				12/A703	12/A703	12/A703	1.20	1, 2
2	2'-0" X 3'-0"	WD		P				19/A703	19/A703	19/A703		
3												

EXISTING INTERIOR STEEL WINDOWS AT WEST WALL TO BE PAINTED PRATT AND LAMBERT 2319 WITCHING HOUR EXCEPT WINDOWS AT RESTROOMS AND TICKET OFFICE TO BE PAINTED PRATT AND LAMBERT 2314 SEED PEARL OTHER WINDOWS NOT TO BE PAINTED

**REMARKS:**

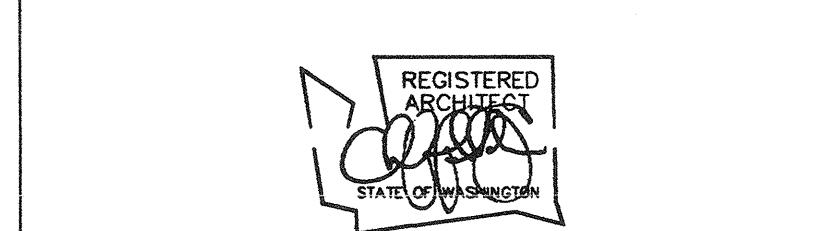
- 1 PROVIDE 3/4 HR. OVERHEAD COILING DOOR AT INTERIOR SIDE
- 2 PAINT TRIM SHERWIN WILLIAMS SW2004 EGRET WHITE



**WINDOW TYPES**

**ARAI/JACKSON**  
Architects & Planners  
1601 East John • Seattle, WA 98112  
Tel: 206-323-8800 Fax: 206-323-8518

**CONSTRUCTION DOCUMENTS**  
BID SET



3		
2	OWNER REVISIONS	4/24/03
1	PERMIT CORRECTIONS	7/15/02
NO.	REVISION - AS BUILT	DATE

REVIEWED: PARK ENGINEER DATE  
All work done in accordance with the City of Seattle Standard Plans and Specifications in effect on the date shown above, and supplemented by Special Provisions.

SAND POINT  
MAGNUSON PARK  
COMMUNITY RECREATION CENTER  
BUILDING 47

**DOOR AND WINDOW SCHEDULES**

DESIGNED	KS, MB	DATE	APR. 24, 2003
DRAWN	KS, MB, MO	DESIGN REVIEW	
CHECKED	GO, JA		
ORDINANCE NO.	119812 & 119987	SHEET	28 OF 76
CONTRACT NO.	1616	SCALE	AS NOTED